

SynQor[®]

MINV MINV-4000-1U-28

MILITARY-GRADE INVERTER

4000 W / 5000 VA Output Power	28 V Nominal DC Input Voltage	20 V - 33 V DC Input Voltage	115 Vrms or 230 Vrms 50 Hz, 60 Hz, or 400 Hz AC Output Voltage Options	89% Full Load Efficiency
----------------------------------------------	----------------------------------------------	---------------------------------------------	---------------------------------------------------------------------------------------	-----------------------------------------

Sealed Construction, Ultra Low Weight, Compact Size



N+M REDUNDANCY
(optional)

DESIGNED & MANUFACTURED IN USA

SynQor's Military Inverter units are designed for the extreme environmental and demanding electrical conditions of Military/Aerospace applications. SynQor's MINV "Field-Rugged" family of rack-mount products incorporates field proven high efficiency designs and rugged packaging technologies. This MINV will accept a DC input voltage while delivering a well-conditioned AC output to the load. It is designed and manufactured in SynQor's USA facilities to comply with a wide range of military standards. Options include a selection of output voltage amplitudes, frequencies, and an electronic breaker on the AC output to permit fault-tolerant parallel operation for higher power and/or N+M redundant systems.

Combine units for Higher Power, Voltage, 3-Phase AC output, and/or Redundancy

Features

- Sealed, weather-proof, shock-proof construction
- 4000 W (5000 VA) output power
- Full power operation: -40 °C to +55 °C
- 28 V nominal DC input
- 20 V - 33 V input range
- 18 V - 40 V transient input range
- Pure sinusoidal AC output voltage (115 Vrms, 60 Hz)
- Handles 0.0—1.0 power factor loads and non-linear loads
- Low-power sleep state draws < 500 uA from source
- Up to 32 units can be combined for higher power, voltage or a 3-Phase AC output
- Up to 32 units can be combined to form a higher power fault-tolerant, glitch-free system, perhaps with N+M redundancy, by ordering with the "AC Output Electronic Breaker" option and the appropriate configuration cable
- User I/O and Configuration signal ports
- Battle Mode for over-temperature events
- 1U high rack mount unit (17.00 "W x 22.43 "D x 1.73 "H)
- Low weight: 32 lbs.

Specification Compliance

MINV-4000 units are designed to meet:

- MIL-STD-1399-300B - Interface Std for Shipboard Systems
- MIL-STD-810G - Environmental Engineering Considerations
- MIL-STD-461F - Electromagnetic Interference
- MIL-STD-704F - Aircraft Electrical Power Characteristics
- MIL-STD-1275D - Vehicle Elec. Power Characteristics

Options

- 115 Vrms or 230 Vrms AC output
- 50 Hz, 60 Hz, or 400 Hz AC output
- Shipboard version with floating neutral wire

Contents

Technical Specification	2
Mechanical Diagrams	4
Application Section	6
Accessory Options	9
Ordering Information	10



SynQor®

MINV MINV-4000-1U-28

Technical Specification

DC INPUT CHARACTERISTICS	
Steady State Operating Voltage	20 - 33 V
Continuous Maximum Input Current	240 A (full load, 20 V)
Transient Operating Voltage	18 - 40 V (500ms @ 18 V)
Transient Maximum Input Current	275 A
AC OUTPUT CHARACTERISTICS	
Total Output Power Continuous	4000 W (5000 VA)
AC Output Waveform	Pure Sinusoidal
Voltage Line-Neutral	115 Vrms ± 3%
	230 Vrms ± 3%
Frequency	60 Hz ± 0.5%
	50 Hz ± 0.5%
	400 Hz ± 0.5%
Load Power Factor	0-1.0 (leading or lagging)
Total Harmonic Distortion	2% (3000 W resistive load)
Single-Phase Output	
Steady State Load Current	43.5 Arms (115 Vrms)
	21.7 Arms (230 Vrms)
Peak Load Current	78 Apk (115 Vrms)
	39 Apk (230 Vrms)

Specifications subject to change without notice.

* Regarding MIL-STD-461 CE-101, the 50 uH series inductance of a standard LISN adversely affects the input ripple of the MINV. Such a large series source inductance (50 uH in each power lead) is not generally encountered in a 28 V DC source of such high power rating. Therefore, testing for CE-101 (DC input) was conducted with 3 different configurations: two using 50 uH LISNs and a 54 mF capacitor connected across the input to the MINV, and one using 5 uH LISNs for which no additional capacitor was added. These configurations all passed CE-101 for all frequencies.

ENVIRONMENTAL CHARACTERISTICS MIL-STD-810G	
Temperature Methods 501.5, 502.5	
Operating Temperature	
Full Rated Power	-40 °C — +55 °C
Reduced Power per Figure B	-40 °C — +70 °C
Storage Temperature	-40 °C — +70 °C
Altitude Method 500.5	
Operating	0 - 18,000 ft
Non-operating	0 - 40,000 ft
Environmental Tests	
Shock/Drop	Method 516.6, Procedures 1,4,6
Temperature Shock	Method 503.5, Procedure 1
Vibration	Method 514.6, CAT 5, 7, 8, 9, 24
Fungus	Method 508.6
Salt Fog	Method 509.5
Sand and Dust	Method 510.5, Procedures 1,2
Rain	Method 506.5 Procedure 1
Humidity	Method 507.5 Procedure 2
Mechanical Vibrations of Shipboard Equipment	Method 528 Procedure 1

RELIABILITY CHARACTERISTICS MIL-HDBK-217F	
MTBF	468 kHrs MIL-217F Ground Benign, Ta=25 °C

ELECTROMAGNETIC CAPABILITY MIL-STD-461F	
CE101*	30 Hz - 10 kHz
CE102	10 kHz - 10 MHz
CS101	30 Hz - 150 kHz
CS106	10 kHz - 40 GHz
CS114	10 kHz - 200 MHz
CS116	10 kHz - 100 MHz
RE101	30 Hz - 100 kHz
RE102	10 kHz - 18 GHz
RS101	30 Hz - 100 kHz
RS103	2 MHz - 40 GHz

MECHANICAL CHARACTERISTICS	
1U Standard Chassis	
Chassis Size (W x D x H)	17.00 "W x 22.43 "D x 1.73 "(1U)H
Case Material	Aluminum
Total Weight	32 lbs.
DC Input Connectors	
DC (-) Input Connector	CGE2E18H5ZNB-16
DC (+) Input Connector	CGE2E18H5ZWB-16
AC Output Connectors	
115 V Single Phase	CB2-20-19SXS
230 V Single Phase	CB2-20-19SXS
I/O Ports	
User I/O Ports	HD DB15 Female
Configuration I/O Port	HD DB15 Male
Ethernet Port	Amphenol RJF22N00, Code B
Cooling Exhaust Fans	
Sound Pressure Level (SPL)	64 dB(A)
Air Flow	0.92 (m³/min) 32.5 CFM

Two fans in system, above specs are for each fan separately.



MINV MINV-4000-1U-28

Technical Specification

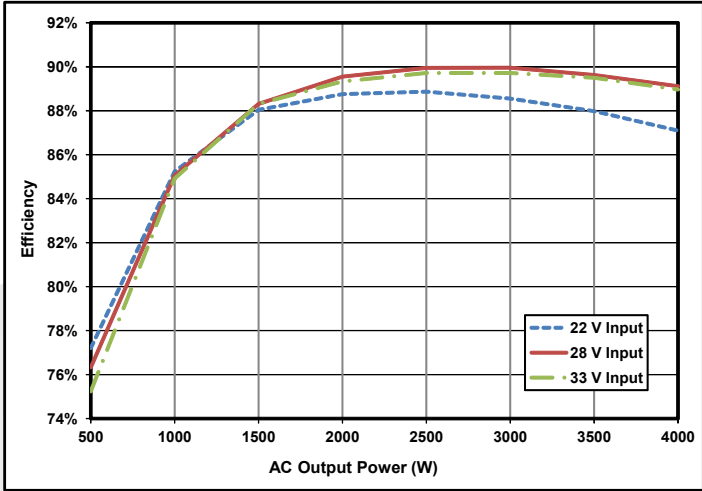


Figure A: Typical efficiency curves for All Output Configurations

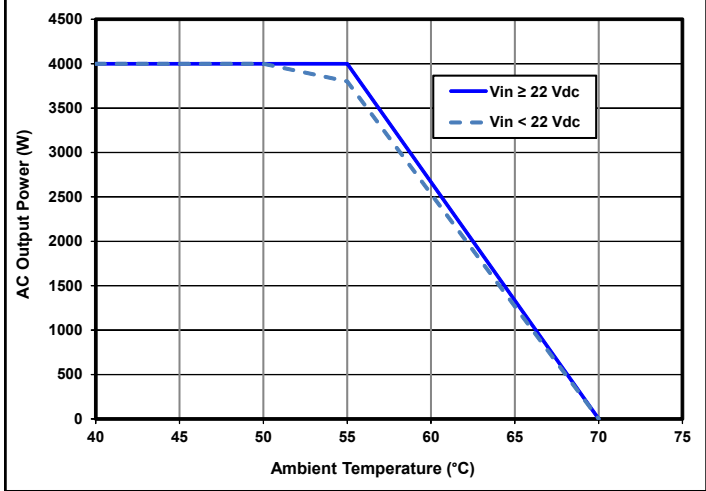


Figure B: Thermal Derating Curve (output power vs. ambient temperature)



High Density DB15 Female (15 Pin Connector)

Signal	PIN	Function
TX	2	RS232 DCE Device Transmit
RX	3	RS232 DCE Device Receive
GND	4, 5	Ground reference for all digital inputs and outputs
BATTLE_MODE	6	TTL-Input*, pull "low" to engage Battle Mode to disable internal over temperature protection, has internal pull-up to +5 V.
DCIN_GOOD	7	Open collector* output where "low" indicates DC Input voltage is within range
+5 V	8	Vout with minimal current drive usable as a pull-up voltage for open collector output signals. Load must be < 35 mA
BLACKOUT_MODE	9	TTL-Input*, pull "low" to engage Blackout Mode to disable front-panel LEDs and audible alarms, has internal pull-up to +5 V.
REMOTE_START	12	Drive this line "high" with ≥ 5 mA to enable MINV outputs
SHUTDOWN	13	Drive this line "high" with ≥ 5 mA to disable MINV outputs
OUT_OK	14	Open collector* output where "low" indicates AC Output voltage is within range
OVER_TEMP	15	Open collector* output where "low" indicates that the MINV is at or above its maximum temperature

*With an internal 50 k Pull-up Resistor to 5 V and ESD Protection Diodes.

Safety & Qualifications (Pending)

- CAN/CSA C22.2 No.60950-1
- UL 60950-1
- EN 60950-1

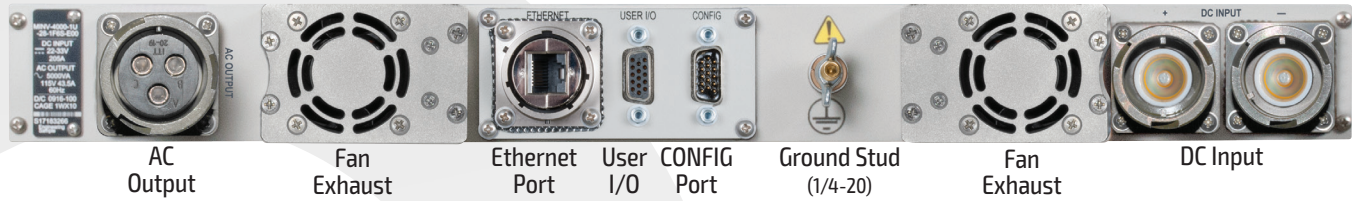


Mechanical Diagrams

MINV-4000-1U-28 Front Panel

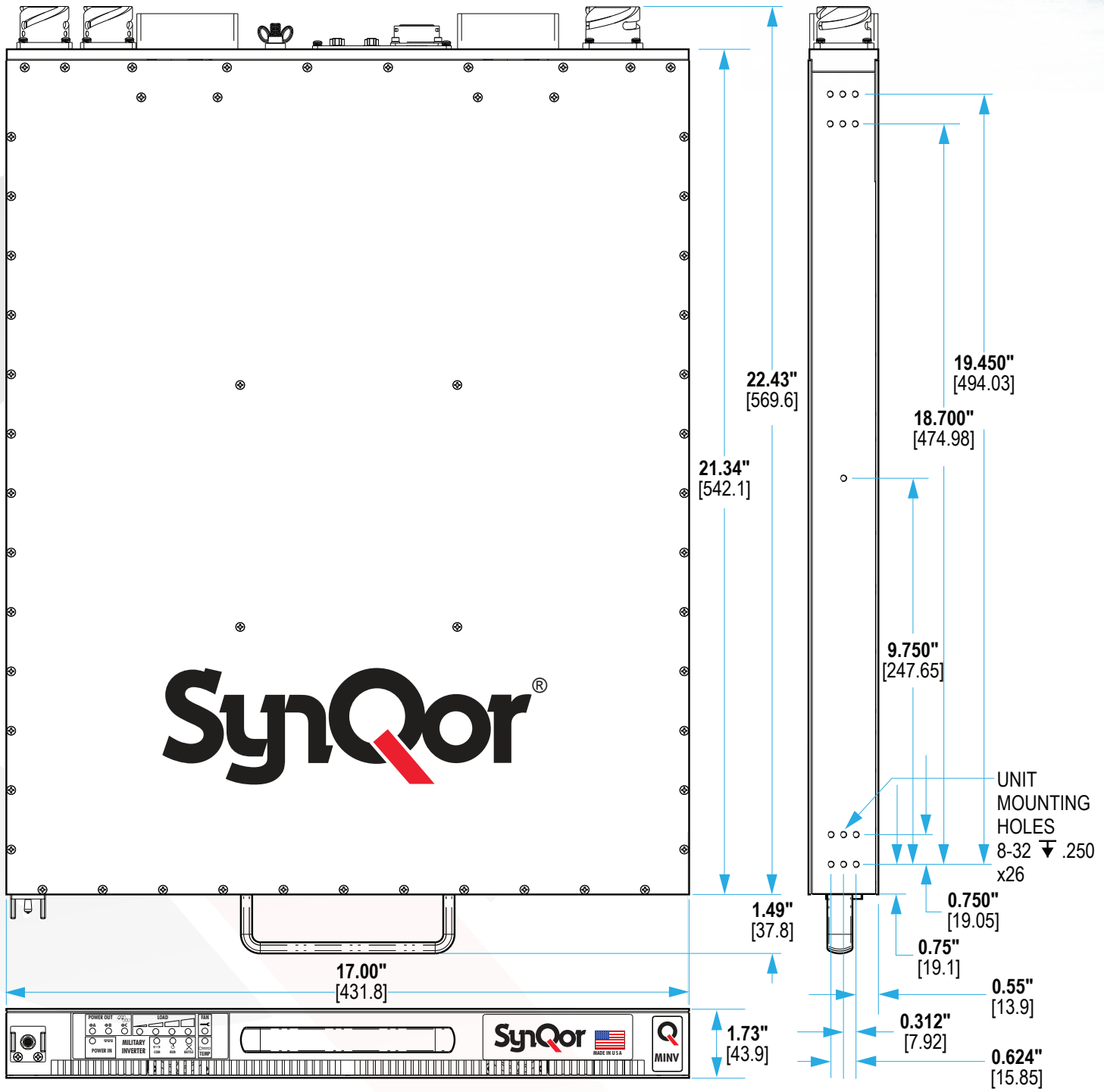


MINV-4000-1U-28 Rear Panel





Mechanical Diagrams





SynQor[®]

MINV
MINV-4000-1U-28

Application Section

“R” and “F” Options: Paralleling With and Without Redundancy

“F” Option: Expanded Paralleling

With the “F” option, up to 32 MINV units can be placed in parallel. AC output current sharing among the paralleled units is accomplished with a high speed digital configuration cable. The units will share the total load current to within $\pm 2\%$, and for a split-phase or 3-phase system the AC voltages and AC currents will have phase balance within ± 2 degrees.

While up to 32 “F” option units can be placed in parallel, there is no guarantee of redundancy. A failure of any one unit with the “F” option could cause the AC output bus to collapse.

“R” Option: AC Output Electronic Breaker

In addition to paralleling up to 32 units, the “R” option also adds an electronic breaker to the AC output of the MINV to permit fault-tolerant, glitch-free parallel operation. With this option, when several MINV units are connected in parallel at their AC outputs and one unit has an internal fault that might otherwise have pulled down the AC output bus, the electronic breaker will disconnect the failed unit so that the remaining paralleled units can continue to power the bus. This allows the system to be “fault-tolerant”. The disconnect occurs very quickly so that the AC output voltage will remain within its specified parameters as long as the remaining paralleled units can deliver the total load power. This allows the system to continue running “glitch-free”.

The electronic breaker is a single-pole breaker present in the hot-side AC output wire only. The neutral AC output wire is left floating from the MINV chassis to facilitate the paralleling of units into various configurations.

“R” Option: N+M Redundancy

The “R” option makes it possible to set up N+1, or more generally N+M, redundant systems with a total of up to 32 MINV units. In such a system the failure of one unit (or M units) will not cause the overall system to fail. A failed unit can then be replaced to return the redundancy level to its original design. The replacement unit can be inserted into a live, operating system with proper precautions, but for safety reasons it is recommended that the system be turned off first.

Output Power Cable Connection

MINV systems are formed by first connecting the neutral wires of all the individual units together. For single phase systems, the hot wires are also connected together to form a single bank of MINV units. Split-phase systems are formed by connecting the hot output wires into two banks. One bank will have its output voltage phase-shifted 180° from the other. The phase-shift is determined by the configuration cable. Similarly, 3-phase systems are formed by grouping the hot output wires into three banks, each bank having its output voltage phase-shifted by 120°. Again, the phase shift is determined by the configuration cable. Since 3-phase systems are formed by connecting the neutral wires together and phase shifting the hot wires, the AC outputs must be wye-connected to form 3-phase systems. Delta connection of MINV units is not supported. However, once a 3-phase system is formed, loads may be connected as wye or delta.

The diagrams on the following page give examples of how multiple MINV units with the “F” or “R” option can be connected to create higher output power single-phase, split-phase, and 3-phase AC systems. Systems with the “R” option will have N+M redundancy as long as N units are sufficient for the maximum load power per phase. Note, again, that the maximum total number of units that can be arranged in any of these configurations is 32.

Configuration Cables

Any system of “F” or “R” option MINV units requires a specific configuration cable that defines the arrangement of MINV units in the system. The configuration cable determines the phase shift for split-phase and 3-phase systems. The cable also provides high speed digital communication for current sharing on each phase.

Configuration cables for two parallel units and three parallel units in a single-phase system, two unit split-phase systems, and three unit three phase systems are available as standard products. Please contact the factory to purchase configuration cables for systems larger than three MINV units.

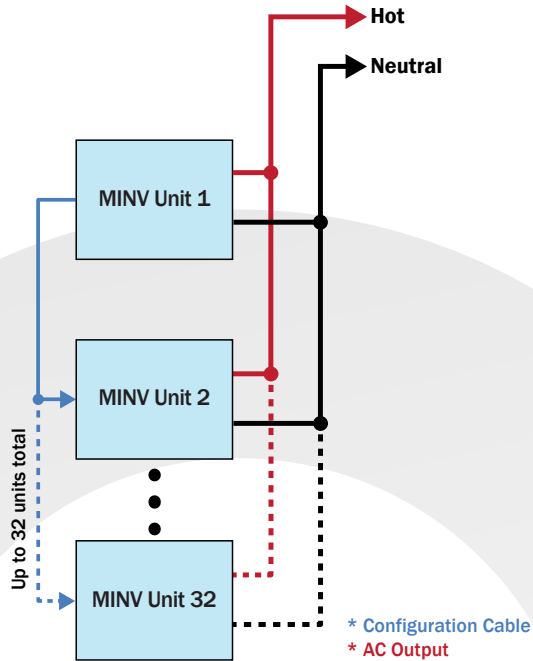


SynQor®

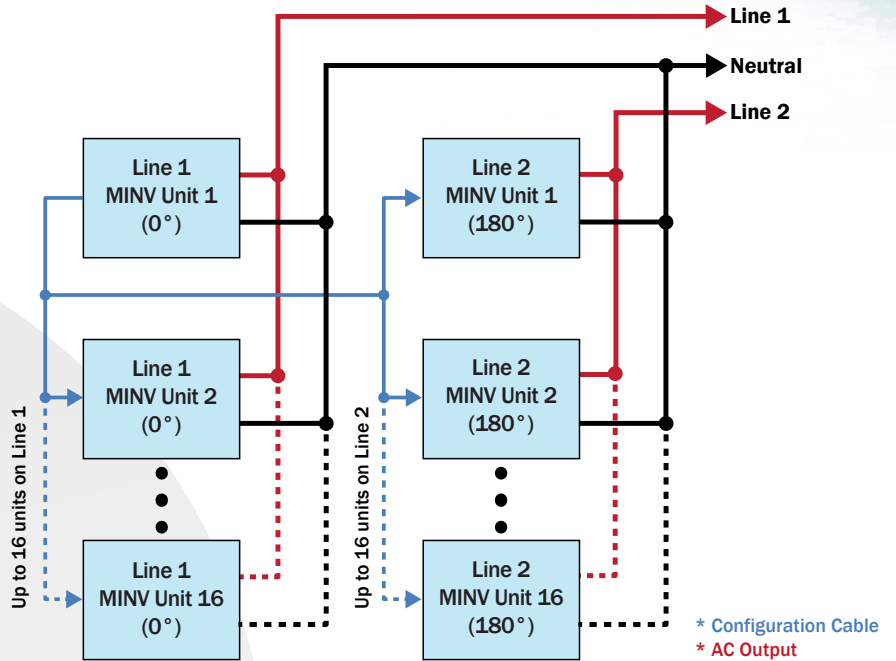
MINV MINV-4000-1U-28

Application Section

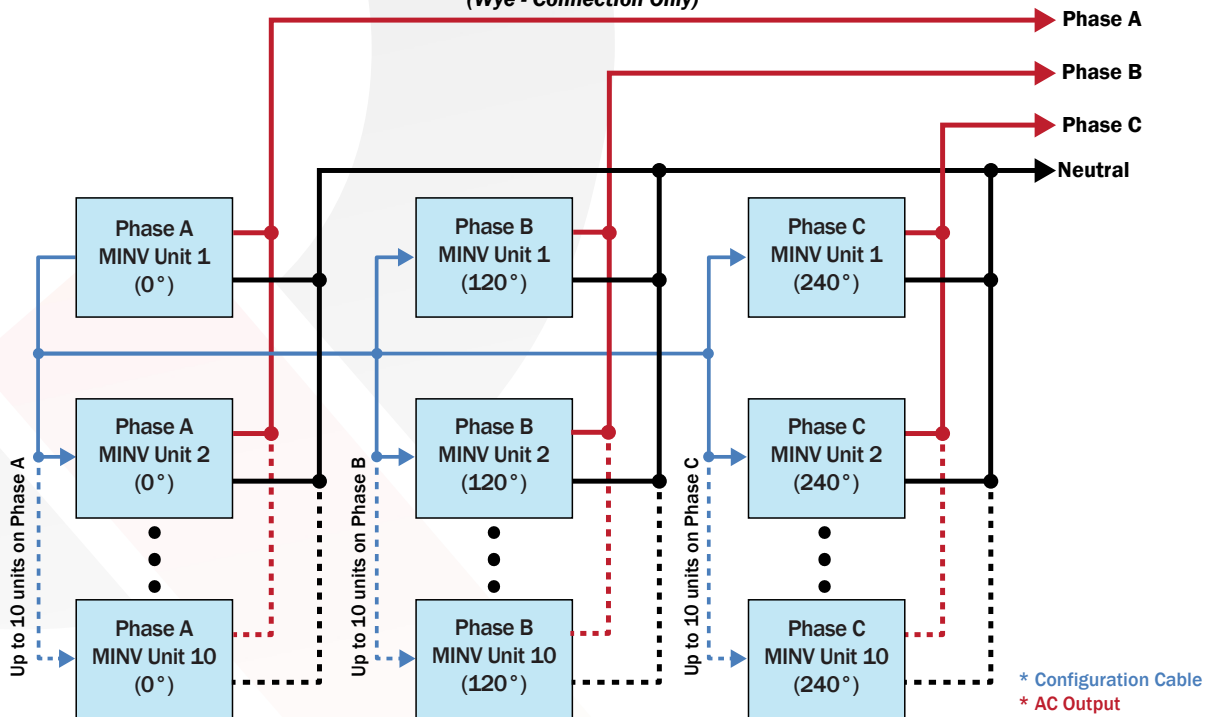
Single Phase Output System



Split Phase Output System



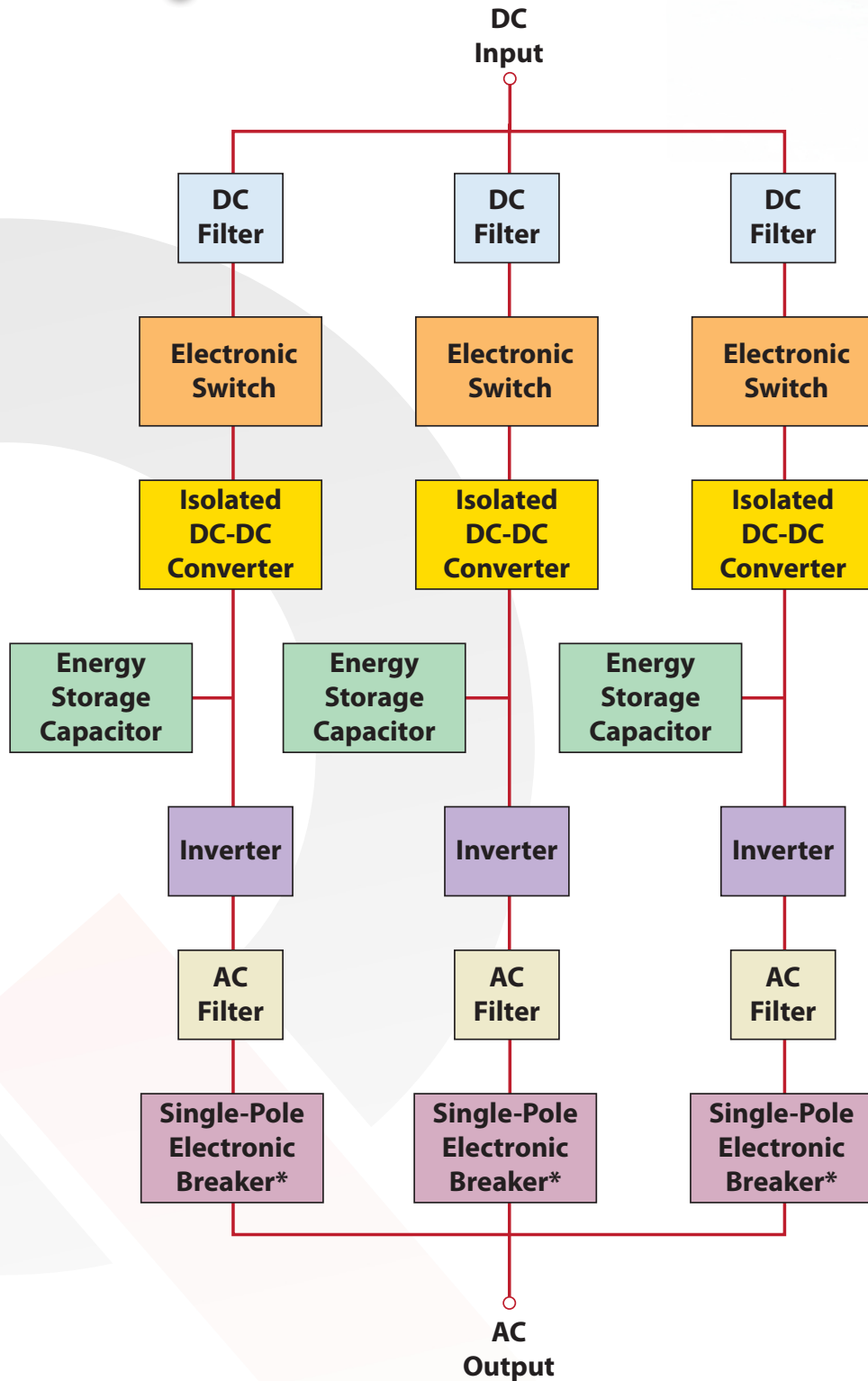
3-Phase Output System (Wye - Connection Only)



* Contact factory for system specific configuration cables.



Block Diagram



*** Single-Pole Electronic Breaker installed on all AC output filter modules when ordering "R" option**



MINV
MINV-4000-1U-28

Accessory Options

Rail Kits	
Slide Rail Kit ²	SYN-9002
Fixed Bracket Kit ³	SYN-9031
Power Cables (10' long)	
AC Output (Hardwire)	SYN-9630
DC Input Negative (Hardwire)	SYN-9652
DC Input Positive (Hardwire)	SYN-9651
Power Cables (3' long)	
DC Output (MPS), DC Input (MINV), 3', Negative	SYN-9180
DC Output (MPS), DC Input (MINV), 3', Positive	SYN-9181
Power Cables (2' long)	
DC Output (MPS), DC Input (MINV), 2', Negative	SYN-9180-2
DC Output (MPS), DC Input (MINV), 2', Positive	SYN-9181-2
Rackmount Transit Cases	
Transit Case, 3U, Gray, with Casters ³	SYN-9410
Transit Case, 3U, Gray, No Casters ³	SYN-9412
Fan Replacement Kit	
Counter-Rotating Replaceable Fan Module	SYN-9452

Notes:

- 1: Other Options also available, check the website or contact power@synqor.com for further information.
- 2: Slide Rail Kit (SYN-9002) is not recommended for transit and ruggedized use.
- 3: Fixed Bracket Kit (SYN-9031) with Transit Case (SYN-9410 or SYN-9412) is required for transit and ruggedized use (qualified to pass MIL-STD-810G Loose Cargo and Transit Drop requirements).

User Communications (I/O) Cables	
HD DB15M to DB9F (RS232, 10')	SYN-9301
HD DB15M to DB15M (RS232 and Digital I/O, 10')	SYN-9305
Mil-Circular to RJ45 (Ethernet, 10')	SYN-9321
Configuration Cables	
HD DB15F to DB15F (2 Units Parallel, Expanded Paralleling, 3')	SYN-9341
HD DB15F to DB15F (3 Units Parallel, Expanded Paralleling, 6')	SYN-9343
HD DB15F to DB15F (2 Units Series, 3')	SYN-9613
HD DB15F to DB15F (3 Units 3-Phase, 6')	SYN-9617



Optional
Rackmount Transit Case



6 NEMA Receptacles with Breaker



MINV
MINV-4000-1U-28

Ordering Information

Family	Output Power	Height	DC Input Voltage	AC Output Voltage	AC Output Neutral Wire	AC Output Set Point Frequency	Output Configuration	Additional Options
MINV	4000	1U	28	1	G	6	S	E00
MINV	4000: 4000 W 5000 VA	1U:1.73"	28: 20 - 33 V	1: 115 Vrms 2: 230 Vrms	G:Grounded F: Floating * R:AC Output Electronic Breaker *	5: 50 Hz 6: 60 Hz 4: 400 Hz	S:Single-Phase Output	E00: Ethernet / SNMP ECE: Ethernet / SNMP & CE Marking

Not all combinations make valid part numbers, please contact SynQor for availability. See the Product Summary web page for more options.

*Note: Order "F: Floating" option when configuring the AC output for multi-unit combinations of up to 32 units.
Order "R: AC Output Electronic Breaker" option for fault-tolerant, glitch-free parallel systems of up to 32 units with N+M redundancy.
The AC output neutral wire will not be connected to the chassis

Example: MINV-4000-1U-28-1G6S-E00

Contact SynQor for further information and to order:

Phone: 978-849-0600
Toll Free: 888-567-9596
Fax: 978-849-0602
E-mail: power@synqor.com
Web: www.synqor.com
Address: 155 Swanson Road
 Boxborough, MA 01719
 USA

PATENTS

SynQor holds numerous U.S. patents, one or more of which apply to most of its power conversion products. Any that apply to the product(s) listed in this document are identified by markings on the product(s) or on internal components of the product(s) in accordance with U.S. patent laws. SynQor's patents include the following:

6,545,890 6,594,159 6,894,468 6,896,526 6,927,987 7,050,309
 7,085,146 7,119,524 7,765,687 7,787,261 8,149,597 8,644,027
 9,143,042

WARRANTY

SynQor offers a one (1) year limited warranty. Complete warranty information is listed on our website or is available upon request from SynQor.