

TITAN-SP

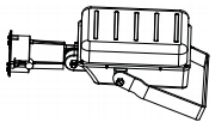
[200W-900W LED Sports Lighter Fixture]



3x112 Model



2x112 Model



SP50HY (Shown Mounted)



SP50PT



3x DriverHousing
(Shown Mounted without powder coating)

Accessories

Catalog #	Description
SP50HY	SP50 Handle Yoke Kit and Hardware
SP50PT	SP50 Pole Mount Kit and Hardware
GT-LSP-120	Surge Protector. 120 V 10 kA Parallel. 20kA maximum discharge current.
GT-LSP-240	Surge Protector. 240 V 10 kA Parallel. 20kA maximum discharge current.
GT-LSP-277	Surge Protector. 277 V 10 kA Parallel. 20kA maximum discharge current.
GT-LSP-347	Surge Protector. 347 V 10 kA Parallel. 20kA maximum discharge current.
GT-LSP-480	Surge Protector. 480 V 10 kA Parallel. 20kA maximum discharge current.
RMB	Remote Mounted Ballasts
GTP-SHROUD-112	Glare Shield (Please specify quantity when ordering)

Description and Application:

Made in the USA, the Titan-SP Sportslighter fixture is among the lowest cost, most energy efficient, and longest life LED sports lighters in the world. With its unique modular design, it has the ability to produce 19,570Lm to 85,830Lm.

Key Features:

- Life Sync Patented Smart Technology and module protection
- Soft start
- 0-10VDC Dimming Capable.
- IP67 Rated Modules

Input Voltage:

50/60Hz
Input 120-277VAC; 347-480VAC

Additional Information:

Operating Temperature Range:
-40°C to 55°C Nominal

Photometrics:
.ies files available

Optics offered for different distributions.
(Dist. = 120° w/o secondary optics)

Surge Protector:
- Required for ALL 347V-480V applications in order to qualify for Warranty
- Recommended for all outdoor applications

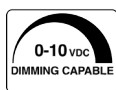
L70 > 150,000Hrs.

Life Sync adjusts module to operate at max performance in any given environment

Warranty: Driver = 5 years
Solstice Light Engine = 10 years
Fixture = 10 years

Wattage Selections:

Product	Output Setting	LED Chip Drive Current [mA]	Rated Lumens [Lm]	Rated Watts [W]
GTSOL112 x 3	HI	2321	85830	900
GTSOL112 x 3	MH	2120	72870	780
GTSOL112 x 3	ML	1670	58710	600
GTSOL112 x 2	HO	2983	67460	720
GTSOL112 x 2	HI	2321	57220	600
GTSOL112 x 2	MH	2120	48580	520
GTSOL112 x 2	ML	1670	39140	400
GTSOL112 x 1	HO	2983	33730	360
GTSOL112 x 1	HI	2321	28610	300
GTSOL112 x 1	MH	2120	24290	260
GTSOL112 x 1	ML	1670	19570	200



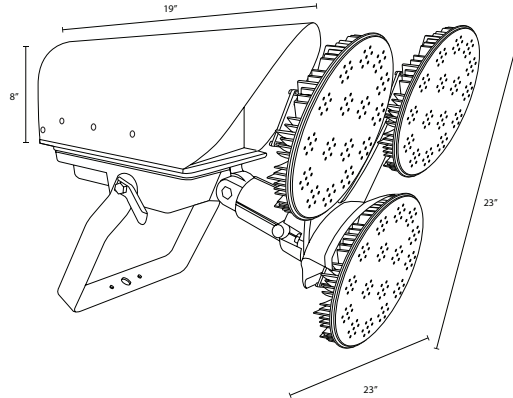


TITAN-SP

[200W-900W LED Sports Lighter Fixture]

SR16-7R1

Details



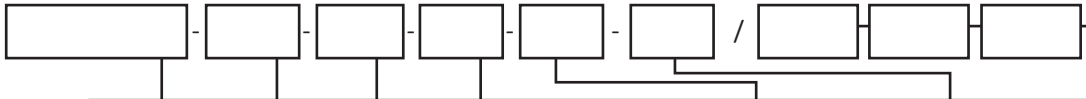
Features

- Life Sync
- Module Temp Protection
- Lumen Depreciation Maintenance
- Wattage Selections (on board)
- On Board Programming
 - 5-6-1 Energy Saving Program
 - 0-10V Dimming
- Lumiled Luxeon LED chips
- Active Thermal Management
- Optical Distribution Options
- -40°C to 55°C Nominal Operating Temperature
- 10 Year Warranty



Ordering Code Example:

GTL-AR-TITAN-SP - 3x112 - HI - SV - BR - NL / IP67 - (3)GTP-SHROUD-112



Fixture	Module	Wattage	Voltage		CCT	Lens	Accs	
GTL-AR-TITAN-SP	3x112	HI (900W)	SV (120V-277V)		BR (5000K) [80CRI]	NL = No Lens	SP50HY	
			HV (347V-480V)		BL (4000K) [80CRI]	10D = 10D Lens	SP50PT	
	3x112	MH (780W)	SV (120V-277V)		OR (2700K) [80CRI]	25D = 25D Lens	GT-LSP-120	
			HV (347V-480V)			50D = 50D Lens	GT-LSP-240	
	2x112	HO (720W)	SV (120V-277V)			75D = 75D Lens	GT-LSP-277	
			HV (347V-480V)		360D = 360D Lens	GT-LSP-347		
	2x112	HI (600W)	SV (120V-277V)			360s = 360 Square Lens	GT-LSP-480	
			HV (347V-480V)		T2 = Type II Lens	RMB		
	2x112	MH (520W)	SV (120V-277V)			T3 = Type III Lens	GTP-SHROUD-112	
			HV (347V-480V)					
	2x112	ML (400W)	SV (120V-277V)					
			HV (347V-480V)					
	112	HO (360W)	SV (120V-277V)					
			HV (347V-480V)					
	112	HI (300W)	SV (120V-277V)					
			HV (347V-480V)					
	112	MH (260W)	SV (120V-277V)					
			HV (347V-480V)					

* IP67 upgrade for module + fan (only NL, 10D, 25D, 50D & 75D)
 ** 112 Module only offered in GR, BL, & OR CCT's

Please see previous page for accessory information
 Please note, prices may change with quantity