

100W Portable Explosion Proof LED Work Light - 14000 Lumens - 220V AC Stepped Down to Low Voltage

Part #: EPL-PM-100LED-220X24I-50



Made in Texas

The EPL-PM-100LED-220X24I-50 from Larson Electronics is an Explosion Proof LED Light with encapsulated inline transformer that is rated ETL Listed Class I Divisions 1 & 2 and Class II Divisions 1 & 2. This portable low voltage work light uses a 16 inch Cree LED light head to produce 14,000 lumens of light while drawing only 100 watts.

The EPL-PM-100LED-220X24I-50 explosion proof LED light provides 9,000+ square feet of work area coverage with 14,000 lumens of light output. This portable LED light is mounted within an A-frame portable stand constructed from non-sparking aluminum and powder coated for increased durability and corrosion resistance. Power is provided to this light via the encapsulated stepdown transformer converting AC input voltage to 24 volts DC for the light head. This LED light work light produces a brilliant flood pattern of light that is ideal for illuminating enclosed areas and hazardous locations where flammable vapors, gases and dusts may be present.

This explosion proof LED light fixture is comprised of a 16 inch wide by 14 inch tall rectangle LED light head mounted within a pedestal base stand fabricated from non-sparking spun aluminum with a convenient carrying handle built into the top of the stand. The lamp can be easily adjusted up or down 90 degrees and locked into position by simply loosening the two hand screws located on either side of the light head and retightening them once the desired angle is found.

[Click Photo to Enlarge](#)[Click Photo to Enlarge](#)[Click Photo to Enlarge](#)

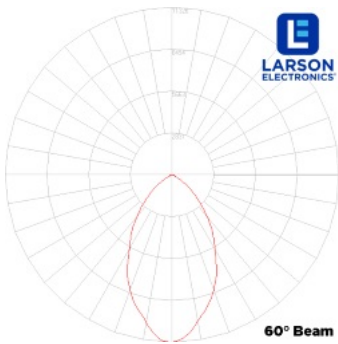
The LED lamp produces 14,000 lumens with a color temperature of 5000K, 4000K, or 3000K and a color rendering index of 75, which produces colors and details much more accurately than high pressure sodium or mercury vapor lamps. The copper free aluminum alloy lamp body is powder coated for added durability and resistance to corrosions. Special heat dissipating design in conjunction with LED technology helps this fixture to achieve an excellent 60,000 hour rated lifespan with 80% lumen retention. Included with this LED light is 50 feet of SOOW cord.

LED Benefits: Unlike gas burning and arc type lamps that have glass bulbs, LEDs have no filaments or fragile housings to break during operation and/or transportation. Instead of heating a small filament or using a combination of gases to produce light, light emitting diodes (LEDs) use semi-conductive materials that illuminate when electric current is applied, providing instant illumination with no warm up or cool down time before re-striking. Because there is no warm up period, this light can be cycled on and off with no reduction in lamp life.

LED lights run at significantly cooler temperatures than traditional metal halide and high pressure sodium lights and contain no harmful gases, vapors, or mercury, making them both safer and more energy efficient. No extra energy is wasted in cooling enclosed work areas due to external heat emissions from bulb type lights, and the operator risks associated with traditional lighting methods, such as accidental burns and exposure to hazardous substances contained in the glass bulbs, are eliminated. In addition, LEDs are also safer for the environment as they are 100% recyclable, which eliminates the need for costly special disposal services required with traditional gas burning and arc type lamps.

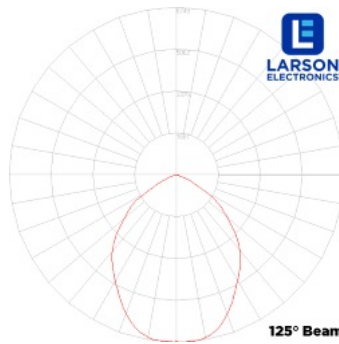
The explosion proof LED light head in this unit features multiple LED drivers which helps to increase the operational life of the fixture. With traditional LED lights, in the event an LED array or driver fails, the entire fixture no longer illuminates. The EPL-PM-100LED series contains twelve individual LED boards configured in a series of banks. Each bank contains two LED boards with an individual driver. In the event of a driver failure, only one bank of LEDs will be effected while the other banks will continue to operate. In the event that of an LED failure, the mating LED will continue to operate.

[Click Photos to Enlarge](#)



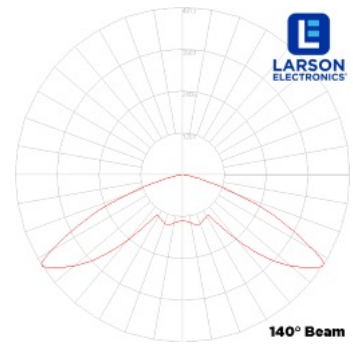
60° Beam

60° Beam Angle



125° Beam

125° Beam Angle



140° Beam

140° Beam Angle

Beam Angles: The EPL-PM-100LED-220X24I-50 is available in either a 60° beam angle or a 125° beam angle. Make your selection below when ordering. When used as a portable lighting solution, the varying beam angles are each individually ideal for several environments. The 60° beam provides the most intense beam of the three options. It is perfect for narrow, confined spaces and is ideally suited for tank cleaning purposes. It offers focused light to provide ample illumination to tight work spaces and other environments. The 125° beam offers a more diffused source of light that is also less intense in brightness. It is a great general area work light and performs well when used for outdoor illumination.

[Click Photos to Enlarge](#)



5-15 Straight Blade Plug
15 Amp / 125V Rated



L5-15 Twist Lock Plug
15 Amp / 125V Rated



L6-15 Twist Lock Plug
15 Amp / 250V Rated



UK BS1363 Straight Blade Plug
13 Amp / 250V Rated / Internal Fuse



Intl Schuko 2-Pin Plug
16 Amp / 250V Rated / Grounded



Flying Leads / Pigtail Wires

Wiring: This explosion proof LED lighting system is equipped with 50` of 16/3 chemical and abrasion resistant SOOW cord leading up to the encapsulated step down transformer, and 5` of 16/3 SOOW cable on the input side of the transformer that is fitted with an industrial grade cord cap for easy connection to common wall outlets.

PLEASE NOTE: *The transformer on this unit is waterproof rated but is NOT explosion proof rated. The transformer must remain outside the hazardous environment.*

This lamp is extremely rugged and ideal for use in marine environments where damage due to salt water spray and dampness is an issue.

Plug: Plug options include standard 5-15 15 amp straight blade plug for 220V wall outlets with ground, standard 6-15 15 amp straight blade plug for 220-240V wall outlets with ground, NEMA L5-15 15 amp twist lock plug for 125V twist lock outlets, NEMA L6-15 15 amp twist lock plug for 240V twist lock outlets, British BS1363 13 amp fused 3-blade plug for United Kingdom outlets, or a two pin 16 amp rated Schuko plug with ground contact and socket for European outlets up to 250V. Alternatively, we can provide flying leads with no plug for hard wire applications or for operators who prefer to wire in user provided cord caps. Please choose pigtail option below for flying leads with no plug.

PLEASE NOTE: the cord cap on this unit is outdoor rated but is NOT explosion proof rated. Electrical connections must be made outside the hazardous environment.

The EPL-PM-100LED-220X24I-50 is multi-voltage capable and configured to operate on 200-250V AC with inline transformer. The encapsulated AC to DC transformer steps the 220V AC input voltage down to 24V DC. This transformer has 50 feet of oil and chemical resistant 16/3 SOOW cable on the output side that connects the LED light to the stepdown transformer, and 5 feet of SOOW cable on the input side of terminated in a general area cord cap. The inline transformer must be plugged in outside of the hazardous location.

This lamp is T5 temperature rated and the LED light head retains 80% of its lumen output after 60,000 hours of use, far longer than incandescent or fluorescent lamps. The solid state design of LEDs provide superior resistance to damage from vibrations, impacts, and extreme temperatures. The EPL-PM-100LED-220X24I-50 portable work light with inline transformer is extremely rugged and ideal for use in classified environments where portable Class I Division 1 lighting is required.

At Larson Electronics, we do more than meet your lighting needs. We also provide replacement, retrofit, and upgrade parts as well as industrial grade power accessories. Our craftsmen can custom build any lighting system and/or accessories to fit the unique demands of your operation. A commitment to honesty, quality, and dependability has made Larson Electronics a leader in the lighting and electronics business since 1973. Contact us today at 800-369-6671 or message sales@larsonelectronics.com for more information about our custom options tailored to meet your specific industry needs.

Made in USA Quality

Superior LED Benefits

1. Approved Class I Div 1-2 Class II Div I-2
2. Durable A-frame mount constructed of copper free aluminum.
3. Adjustable LED light head requires no lamping.
4. Stepdown transformer converts input voltage to 24V DC
5. Long life LEDs reduce maintenance & replacement costs.
6. LED banks with individual drivers for increased durability
7. Mercury free shock proof LED lamp light head.
8. 6000K Color Temperature and Color Rendering Index of 75
9. 14,000 lumens produced from only 100 watts.
10. 50ft 16/3 SOOW cable with encapsulated inline transformer terminated in a general area cord cap.

1. 60,000+ hour lifespan.
2. Can SAVE 50% or more on energy.
3. 100% recyclable.
4. No toxins-lead, mercury.
5. No UV light, infrared radiation or CO2 emissions.
6. Bright, even light maintains consistent color over time.
7. Instant on/off - No flickering, delays or buzzing.
8. Very good color rendering.
9. Vibration/impact resistant.
10. Significantly cooler operation.
11. Less frequent outages, higher output improves workplace safety.

Specifications / Additional Information**EPL-PM-100LED-220X24I-50 Explosion Proof LED Light****Listing:** United States - Canada**Lamp Type:** Cree LED**Dimensions:** 14"H x 16"W 5"D - Light Head**Weight:** 40 lbs**Voltage:** 200-250V AC, stepped down to 24V DC**Total Watts:** 100W**Total Lumens:** 14,000**Luminous Efficacy:** 140 Lm/W**Lamp Life:** 60,000+ Hours**Color Temp:** 5000K, 4000K, 3000K**Color Rendering Index:** >75 CRI**Beam Angle:** 60° Or 125°**Lighting Configuration:** Flood Pattern**Power Efficiency:** >95%**Power Factor:** 0.992**Ambient Operating Temp Range:** -40°C to +65°C**Operating Temp Rating:** T5**Materials:** Non-sparking Aluminum Frame, Copper Free Aluminum Light Head**Housing Finish:** Epoxy Powder Coated - Grey**Lens Material:** Hardened Borosilicate Glass**Gasket Material:** Silicone**Mounting:** Triangular Shaped A-frame Aluminum Base Stand**Wiring:** 50' 16/3 SOOW w/ Encapsulated Inline Stepdown Transformer and General Area Cord Cap**Ratings/Approvals**

Listed for United States and Canada

Class I, Divisions 1 & 2, Groups C and D

Class II, Divisions 1 & 2, Groups E,F,G

Class III, Divisions 1 & 2

Certified to UL 844 Ed. 13

Certified to UL 1598

Certified to C22.2 No. 137 Rev 2009

Certified to C22.2 No. 250.0

Certified to C22.2 No. 30-M-1986 Rev 2012

T5 Temperature Rating

Paint Spray Booth Approved

IP67 Rated Waterproof

LEL Approved

Multiple Driver Banks

80% Lumen Retention after 60,000 Hours

Factory Sealed Light Fixture

Recommended 15` to 40` Mounting Height

IEC 60529 Tested

Inline Transformer Steps Down AC Voltage to 24V DC

Special Orders- Requirements

Contact us for special requirements

Toll Free: 1-800-369-6671**Intl:** 1-214-616-6180**Fax:** 1-903-498-3364**E-mail:** sales@larsonelectronics.com[Scroll Down to Purchase-](#)[This product does not qualify for free shipping.](#)[Part #: EPL-PM-100LED-220X24I-50 \(224065\)](#)

Options:

EPL-PM-100LED-220X24I-50- CORD CAP - BEAM ANGLE

Example: EPL-PM-100LED-220X24I-50-5.15-60B

CORD CAP		BEAM ANGLE	
5-15 Straight	-5.15	60°	-60B
6-15 Straight	-6.15	125°	-125B
L5-15 Twist	-L5.15		
L6-15 Twist	-L6.15		
UK BS1363	-BS1363		
Intl Schuko	-Schuko		
Pigtail	-Pigtail		









Links (Click on the below items to view):

- [High Res Image 1 - Portable Explosion Proof LED Work Light](#)
- [High Res Image 2 - Portable Explosion Proof LED Work Light](#)
- [High Res Image 3 - Portable Explosion Proof LED Work Light](#)
- [High Res Image 4 - Portable Explosion Proof LED Work Light](#)
- [High Res Image 5 - Portable Explosion Proof LED Work Light](#)
- [High Res Image 6 - Portable Explosion Proof LED Work Light](#)
- [High Res Image 7 - Portable Explosion Proof LED Work Light](#)
- [High Res Image 8 - Portable Explosion Proof LED Work Light](#)