

**150W Explosion Proof LED Light - 5' Tall Base Stand Mount w/ (2) Magnetic Feet - 24" Stand - C1D1**

Part #: EPL-24BS-5FT-150LED-2MB-50



**Made in Texas**

The EPL-24BS-5FT-150LED-2MB-50 Explosion Proof LED Light from Larson Electronics is rated Class I Divisions 1-2 Groups C & D and Class II Divisions 1-2 and uses a 16 inch Cree LED light head to produce 17,500 lumens of light while drawing only 150 watts. The EPL-24BS-5FT-150LED-2MB-50 is held up by 4 legs. two of the legs are magnetic for better balance and solid positioning.

**\*\*\*PLEASE NOTE: ANY FREE SHIPPING OFFERS DO NOT APPLY TO THIS HAZARDOUS LOCATION LIGHT FIXTURE\*\*\***

The EPL-24BS-5FT-150LED-2MB-50 explosion proof LED light provides 10,000 square feet of work area coverage with 17,500 lumens of light output. This portable LED light is mounted to a 24 inch wide four leg aluminum base and has an LED light head measuring 16 inches wide by 14 inches tall. The LED light head on this unit produces a brilliant flood pattern of light that is ideal for illuminating enclosed areas and hazardous locations where flammable vapors, gases and dusts may be present. Often referred to as simply a "tank light," this unit is considered universal due to its ability to be passed through any conventional manhole such as those found in petrochemical containers and ship storage tanks.



[Click Image to Enlarge](#)



[Click Image to Enlarge](#)

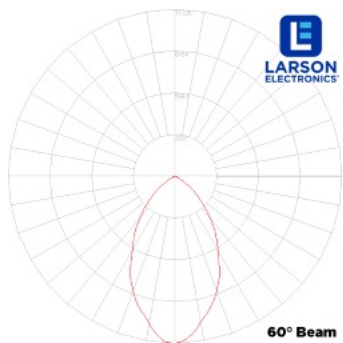


[Click Image to Enlarge](#)

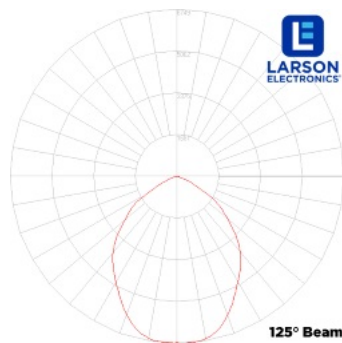
This explosion proof LED light fixture is comprised of a 16 inch LED light head mounted atop a base stand fabricated from non sparking aluminum. Transferring the unit through manholes consists of simply removing the light head from the base, passing the light head and base through the manhole separately, and then reassembling the unit once inside. The lamp can be easily adjusted up or down 90 degrees and locked into position by simply loosening the two hand screws located on either side of the light head and re-tightening them once the desired angle is found. Included with this LED light cart is 100 feet of SOOW cord, which combined with the 360° of rotation and 90° of tilt offered by the LED light head provides an effective alternative to often cumbersome explosion proof string lights. Two of the legs on the EPL-24BS-5FT-150LED-2MB-50 light fixture are equipped with magnetic feet for increased stability when mounted on flat, magnetic surfaces.

The explosion proof LED light head in this unit features multiple LED drivers which helps to increase the operational life of the fixture. With traditional LED lights, in the event an LED array or driver fails, the entire fixture no longer illuminates. This new series of LED lamps contains twelve individual LED boards configured in a series of banks. Each bank contains two LED boards with an individual driver. In the event of a driver failure, only one bank of LEDs will be effected while the other banks will continue to operate. In the event that of an LED failure, the mating LED will continue to operate.

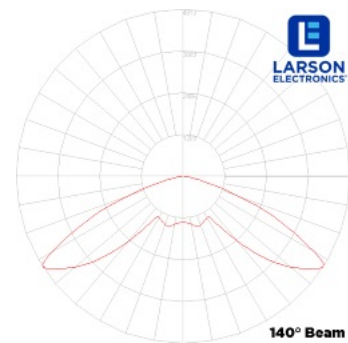
[Click Photos to Enlarge](#)



**60° Beam Angle**



**125° Beam Angle**



**140° Beam Angle**

**Beam Angles:** When used as a portable lighting solution, the varying beam angles are each individually ideal for several environments. The 60° beam provides the most intense beam of the three options. It is perfect for narrow, confined spaces and is ideally suited for tank cleaning purposes. It offers focused light to provide ample illumination to tight work spaces and other environments. The 125° beam offers a more diffused source of light that is also less intense in brightness. It is a great general area work light and performs well when used for outdoor illumination. The 140° beam offers a very wide lighting pattern and is ideal for situations where lighting distance is not a concern, but illumination of a wider area and even light distribution is. The 140° beam is great for situations that call for working in close proximity to lights such as in a paint booth.

Unlike gas burning and arc type lamps that have glass bulbs, LEDs have no filaments or fragile housings to break during operation. Instead of heating a small filament or using a combination of gases to produce light, light emitting diodes (LEDs) use semi-conductive materials that illuminate when electric current applied and emitting light. With LED lights, there is no warm up time or cool down time before re-striking and provide instant illumination when powered on, adding to the reliability of LED technology. By nature, LED light sources run significantly cooler than traditional lamps, reducing the chance of accidental burns and increased temperatures due to heat emissions. This solid state design of light emitting diodes provides a more reliable, stable, durable, and energy efficient light source over traditional lighting.

[Click Photos to Enlarge](#)



### 5-15 Straight Blade Plug

### 6-20 Straight Blade Plug

This unit is also multi-voltage capable and can be configured to operate on 120-277 volts 50/60 Hz. Further adding to the versatility and convenience of this explosion proof LED light are 25 peel off mylar overspray lamp protectors that ship with the unit. The protectors provide lamp protection from dirt or debris and can be removed, cleaned and replaced, lessening the need for tedious lamp cleaning or replacements. This lamp is T5 temperature rated and the LED light head retains 80% of its lumen output after 60,000 hours of use, far longer than incandescent or fluorescent lamps.

At Larson Electronics, we do more than meet your lighting needs. We also provide replacement, retrofit, and upgrade parts as well as industrial grade power accessories. Our craftsmen can custom build any lighting system and/or accessories to fit the unique demands of your operation. A commitment to honesty, quality, and dependability has made Larson Electronics a leader in the lighting and electronics business since 1973. Contact us today at 800-369-6671 or message sales@larsonelectronics.com for more information about our custom options tailored to meet your specific industry needs.

#### Specifications / Additional Information

##### EPL-24BS-5FT-1X150LED-100 Explosion Proof LED Light

**Listing:** United States & Canada

**Lamp Type:** Cree LED

**Dimensions:** 24"-W x 60"-H - 14" x 16" Light head

**Total Watts:** 150 watts

**Lumens:** 17,500

**Voltage:** Universal Voltage 120-277V AC 50/60Hz

**Mounting:** Aluminum Base Stand

**Weight:** 30 lb

**Lighting Configuration:** Flood Pattern

**Operating Temp Range: T5 Rated** -40°C to 65°C

**Color Temp:** 5000K, 4000K, 3000K

**Color Rendering Index:** >75 CRI

**LED Lamp Life Expectancy:** 60,000 Hours

**Beam Angle:** 60° or 125°

**Lighting Configuration:** Flood Pattern

##### Ratings/Approvals

Class I Division 1, Groups C and D

Class I Division 2, Group C,D

Class II, Divisions 1 & 2, Groups E,F,G

Class III, Divisions 1 & 2

T5 Temperature Rating

Certified to UL844 and C22.2 Standards

Paint Spray Booth Approved

Made in the USA

IP67 Rated Waterproof

Multiple Driver Banks

80% Lumen Retention after 60,000 Hours

Two Magnetic Feet for Increased Stability

##### Special Orders- Requirements

Contact us for special requirements

**Toll Free:** 1-800-369-6671

**Beam Lux:** 8500 @ 1 Meter 1250@ 3 Meters

**Intl:** 1-214-616-6180

**Wiring:** 100` SOOW Cord Terminated w/ an Explosion Proof Straight Blade Plug

**Fax:** 1-903-498-3364

**Cord Cap:**5-15 or 6-20 Straight Blade Plug

**E-mail:** sales@larsonelectronics.com

[Scroll Down to Purchase-](#)

This product does not qualify for free shipping.

Part #: EPL-24BS-5FT-150LED-2MB-50 (222621)

Options:

EPL-24BS-5FT-150LED-2MB-50- BEAM ANGLE - VOLTAGE - CORD CAP

Example: EPL-24BS-5FT-150LED-2MB-50-60DB-1227-1523

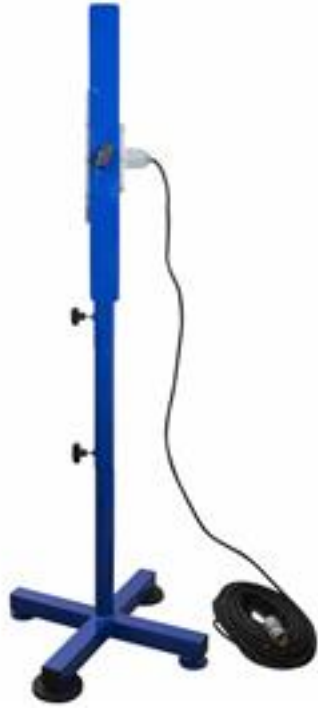
| BEAM ANGLE |        | VOLTAGE  |       | CORD CAP |            |
|------------|--------|----------|-------|----------|------------|
| 60°        | -60DB  | 120-277V | -1227 | 5-15P    | -1523      |
| 125°       | -125DB | 11-25V   | -1224 | 5-20P    | -2023-125V |
|            |        |          |       | 6-20P    | -2023-250V |











Links (Click on the below items to view):

- [High Res Pic 1 - Explosion Proof LED Light With Base Stand Mount and Magnetic Feet \(Right Angle\)](#)
- [High Res Pic 2 - Explosion Proof LED Light With Base Stand Mount and Magnetic Feet \(Front\)](#)
- [High Res Pic 3 - Explosion Proof LED Light With Base Stand Mount and Magnetic Feet \(Left Angle\)](#)
- [High Res Pic 4 - Explosion Proof LED Light With Base Stand Mount and Magnetic Feet \(Right Side\)](#)
- [High Res Pic 5 - Explosion Proof LED Light With Base Stand Mount and Magnetic Feet \(Left Side\)](#)

-