

Features

- All materials and finishes comply with FDA, USDA, and 3-A requirements
- All stainless construction
- Highly polished valve internals and end caps with 32 Ra finish
- Forged ASTM 316L stainless steel valve body and end caps
- Investment cast 316 stainless steel actuator body, pistons & stems
- Tri-Clamp ends for hygienic connections
- Valve body machining and chamfering done by a single CNC process for precise fit
- 316L mirror finish disc/stem for minimal flow resistance
- Bi-directional flow
- Single piece forged & machined stem/disc
- 100% tested with full traceability of all valve components
- Spring Return or Double Acting Actuators
- Electro-polished actuator body
- Actuator pre-lubricated and tested to minimum 1 million cycles
- NEMA 4/4X (IP66) enclosure for washdown applications
- Namur and ISO mounting standards
- Highly visible valve position indicator
- Coated springs for additional corrosion resistance (spring return only)

Applications

Sanitary butterfly valves are typically used for food, beverage, pharmaceutical, personal care, and pet care applications where sanitary construction is required, as well as for utility, process, and corrosive environment applications where quick clamp connections are beneficial.

Operation

Double acting stainless steel rack & pinion actuators use air pressure to open and air pressure to close the ball valve (4-way pilot). Spring return stainless steel rack & pinion actuators use air pressure to open and springs to close the ball valve (3-way pilot). Actuator will work with filtered dry or lubricated compressed air. Recommended air supply pilot pressure should be between 58 and 87 PSI. Easy to read visual valve position indicator located on top of actuator.

Construction

Valve Body	ASTM 316 Stainless steel
Disc	ASTM 316 Stainless steel
Disc Seat/Liner	EPDM
Stem	316L Stainless steel
Actuator Seals	NBR
Actuator Body/ End Covers	316 Stainless steel
Position Indicator	Plastic
Fasteners	ASTM 304 Stainless Steel



Description

Pneumatically operated direct mount sanitary butterfly valves are designed for hygienic applications. Heavy duty quarter turn stainless steel rack & pinion actuators designed for long life and tested for a minimum 1 million+ operations. 316L stainless steel valve body for excellent corrosion resistance. Single piece 316L disc/stem with disc polished to mirror finish to minimize flow turbulence. Sanitary tri-clamp ends for quick, sanitary connections and easy cleaning. Standard Namur mounting pads for optional accessory confirmation switches and pilot valves.

Approvals– Actuators

- CE Declaration of conformity
- ISO5211/ DIN3337 valve mounting
- Namur VDI/VDE 3845 accessory mounting

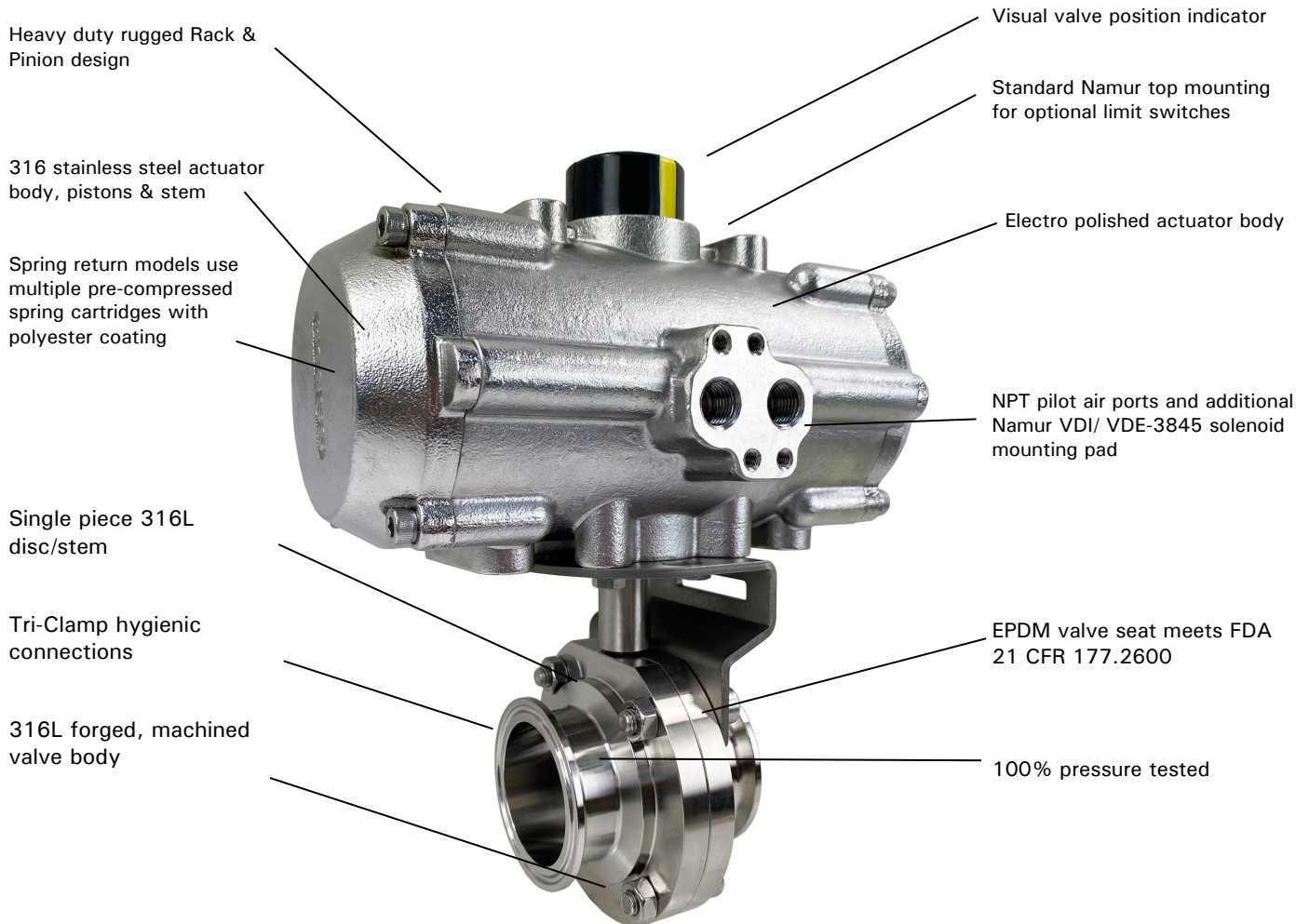
Standards– Valves

- Construction:
- FDA 21 CFR 177.2600

Optional Accessories

- DMS: Direct Mount Solenoid
- pilot to electrically operate the ball valve
- VPS: Valve Position Switches
- limit switches to confirm valve position
- PVP: Pneumatic Valve Positioner
- position the valve with 4-20mA

Features



Pressure Rating

Pressure Rating*: 1-2", 160 PSI @ 68 °F, 3-4" 140 PSI @ 68 °F

Recommended Air Pilot Pressure: 58-87 PSI (4-6 Bar)

Max Air Pilot Pressure: 120 PSI (8 Bar)

Valve Temperature Rating: EPDM seals: -68 to 302°F (-55 to 150°C)

Actuator Temperature Rating: -4 to 167 °F (-20 to 75 °C)

*See P/T chart

Specifications (English units)

Stock Number	Pipe Size (inch)	Orifice Diam. (inch)	Cv Flow Factor	Pressure Max. (PSI)*	Cycle Time /90° (seconds)	Air Volume/90° (cubic inches)	Pilot Air Port (NPT)
Sanitary Butterfly Valve with Spring Return Actuator							
574702	1	0.9	23.0	160	3.3-0.8	24.4	1/4
574703	1-1/2	1.4	80.0	160	3.3-0.8	24.4	1/4
574704	2	1.9	230.0	160	3.3-0.8	54.9	1/4
574706	3	2.9	372.0	140	3.3-0.8	54.9	1/4
574707	4	3.8	800.0	140	3.3-0.8	54.9	1/4
Sanitary Butterfly Valve with Double Acting Actuator							
574602	1	0.9	23.0	160	0.8	24.4	1/4
574603	1-1/2	1.4	80.0	160	0.8	24.4	1/4
574604	2	1.9	230.0	160	0.8	24.4	1/4
574606	3	2.9	372.0	140	1.4	54.9	1/4
574607	4	3.8	800.0	140	1.4	54.9	1/4

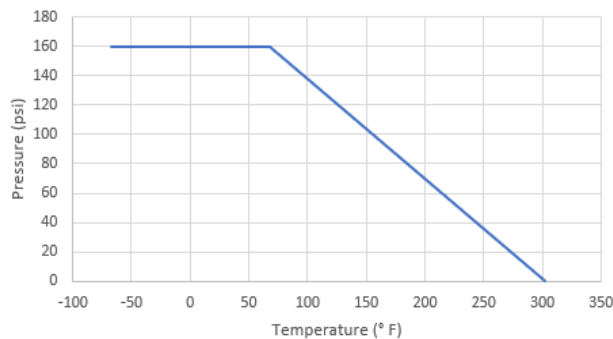
* Pressure @ -67° to 302° F (reduced pressure at higher temperatures—see P/T chart)

Pressure/Temperature Chart (PSI/°F)

Standard Units 1-2"

Temp °F	-67	68	302
Pressure	160	160	0

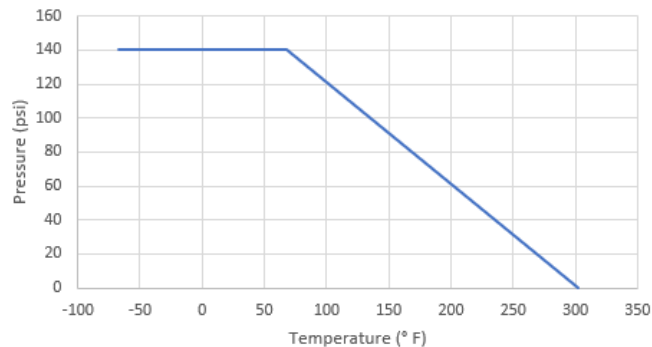
Pressure vs Temperature- Standard Units



Standard Units 3-4"

Temp °F	-67	68	302
Pressure	140	140	0

Pressure vs Temperature- Standard Units



Specifications (Metric units)

Stock Number	Pipe Size (DN)	Orifice Diam. (mm)	Kv Flow Factor	Pressure Max. (Bar)*	Cycle Time/90° (seconds)	Air Volume/90° (cubic liters)	Pilot Air Port (NPT)
Sanitary Butterfly Valve with Spring Return Actuator							
574702	1	22.1	19.9	11	3.3-0.8	0.4	1/4
574703	1-1/2	34.8	69.2	11	3.3-0.8	0.4	1/4
574704	2	47.5	199.0	11	3.3-0.8	0.9	1/4
574706	3	72.9	321.8	9.7	3.3-0.8	0.9	1/4
574707	4	97.6	692.0	9.7	3.3-0.8	0.9	1/4
Sanitary Butterfly Valve with Double Acting Actuator							
574602	1	22.1	19.9	11	0.8	0.4	1/4
574603	1-1/2	34.8	69.2	11	0.8	0.4	1/4
574604	2	47.5	199.0	11	0.8	0.4	1/4
574606	3	72.9	321.8	9.7	1.4	0.9	1/4
574607	4	97.6	692.0	9.7	1.4	0.9	1/4

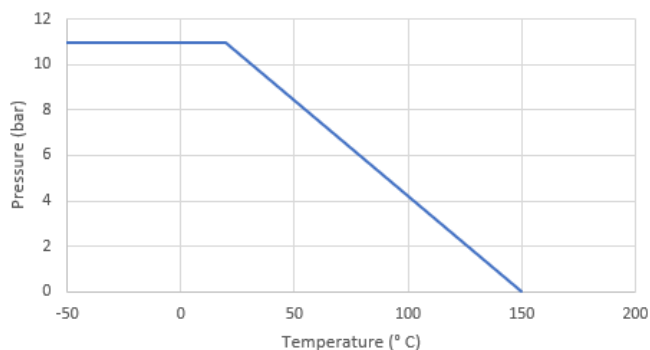
* Pressure range @ -55° to 150° C (reduced pressure for higher temperatures—see P/T chart)

Pressure/Temperature Chart (Bar/°C)

Metric Units 1-2"

Temp °C	-55	20	150
Pressure	11	11	0

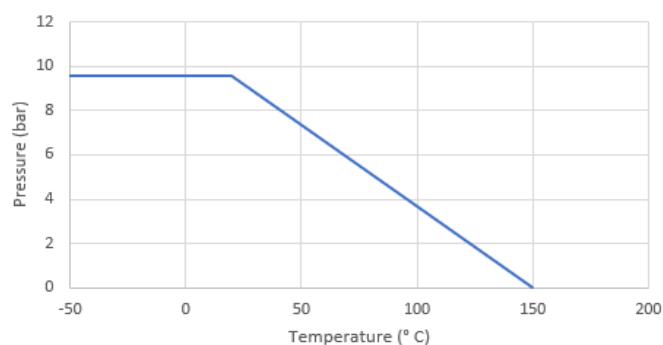
Pressure vs Temperature- Metric Units



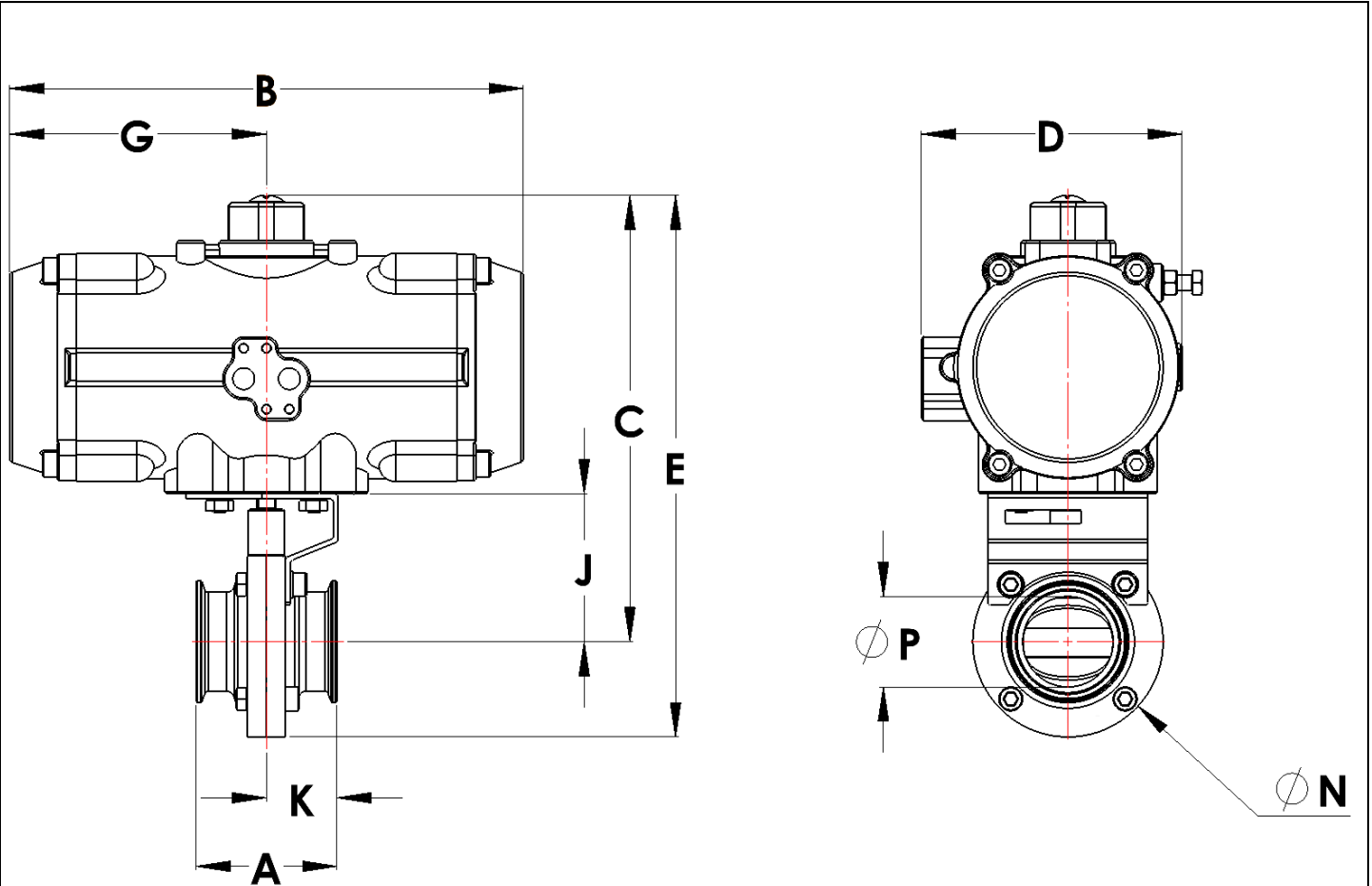
Metric Units 3-4"

Temp °C	-55	20	150
Pressure	9.7	9.7	0

Pressure vs Temperature- Metric Units

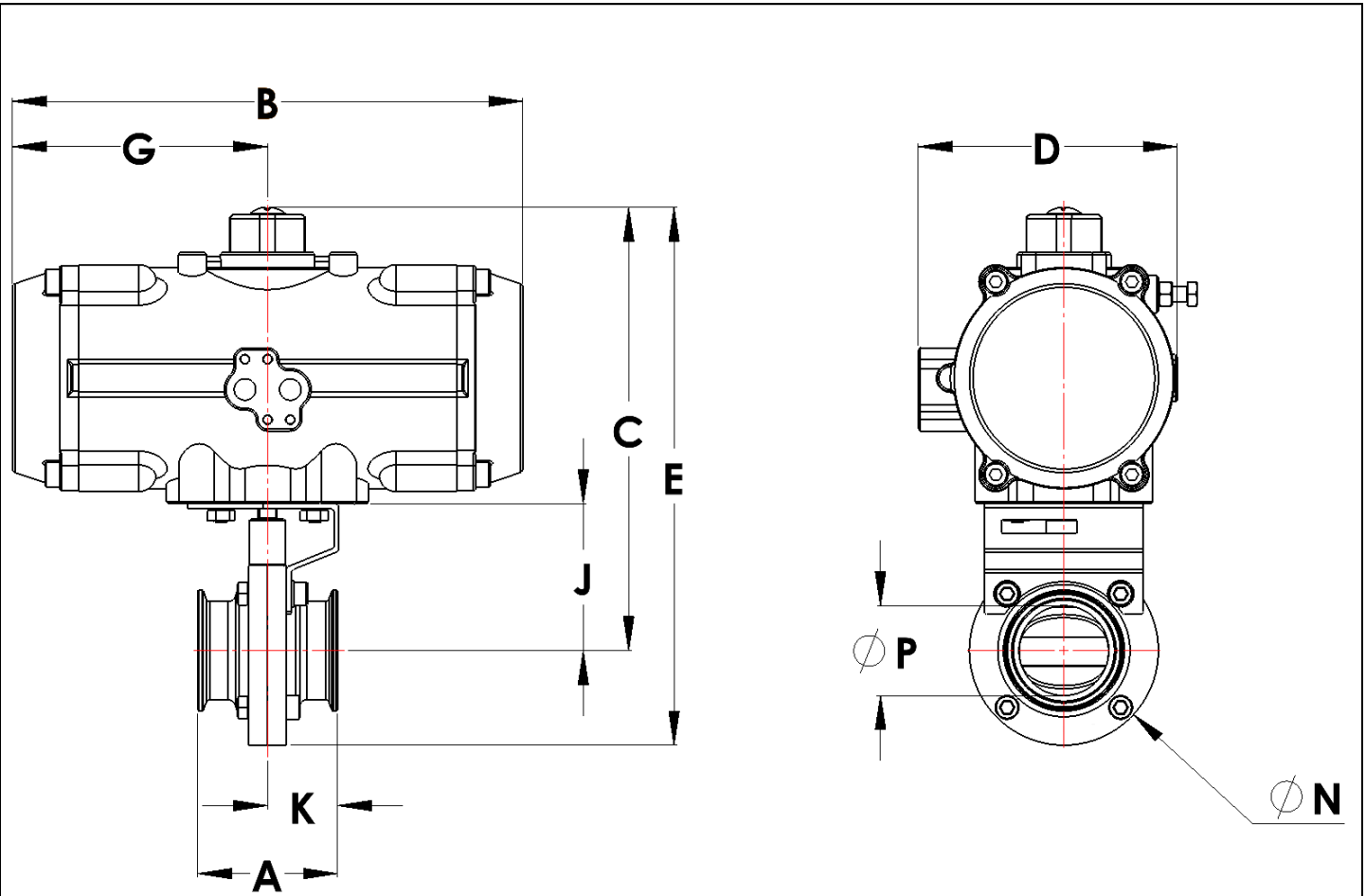


Dimensions: Spring Return



Pipe Size		A	B	C	D	E	G	J	K	N	P	A & B Ports (NPT)	Weight
1	inch	2.8	8.0	8.0	4.5	9.6	4.0	2.8	1.4	3.1	0.9	1/4	16.9 lb
	mm	70.0	204.0	203.9	113.5	243.4	102.0	69.9	35.0	79.0	22.1	-	7.7 kg
1-1/2	inch	2.8	8.0	8.2	4.5	9.9	4.0	2.9	1.4	3.3	1.4	1/4	17.4 lb
	mm	70.0	204.0	208.0	113.5	250.5	102.0	74.0	35.0	85.0	34.8	-	7.9 kg
2	inch	2.9	8.0	9.2	4.5	11.2	4.0	3.1	1.5	3.9	1.9	1/4	27.3 lb
	mm	74.0	204.0	234.6	113.5	284.6	102.0	77.7	37.0	100.0	47.5	-	12.4 kg
3	inch	3.1	10.6	9.9	5.0	12.4	5.3	3.7	1.5	5.0	2.9	1/4	30.3 lb
	mm	78.0	270.0	251.5	127.0	315.0	135.0	94.5	39.0	127.0	72.9	-	13.7 kg
4	inch	3.5	10.6	10.5	5.0	13.5	5.3	4.3	1.8	6.1	3.8	1/4	32.3 lb
	mm	90.0	270.0	265.6	137.0	343.6	135.0	108.7	45.0	156.0	97.6	-	14.7 kg

Dimensions: Double Acting



Pipe Size		A	B	C	D	E	G	J	K	N	P	A & B Ports (NPT)	Weight
1	inch	2.8	10.6	8.0	5.0	9.6	5.3	2.8	1.4	3.1	0.9	1/4	16.5 lb
	mm	70.0	270.0	203.9	127.0	243.4	135.0	69.9	35.0	79.0	22.1	-	7.5 kg
1-1/2	inch	2.8	10.6	8.2	5.0	9.9	5.3	2.9	1.4	3.3	1.4	1/4	17.0 lb
	mm	70.0	270.0	208.0	127.0	250.5	135.0	74.0	35.0	85.0	34.8	-	7.7 kg
2	inch	2.9	10.6	9.2	5.0	11.2	5.3	3.1	1.5	3.9	1.9	1/4	17.0 lb
	mm	74.0	270.0	234.6	127.0	284.6	135.0	77.7	37.0	100.0	47.5	-	7.7 kg
3	inch	3.1	10.6	9.9	5.0	12.4	5.3	3.7	1.5	5.0	2.9	1/4	28.5 lb
	mm	78.0	270.0	251.5	127.0	315.0	135.0	94.5	39.0	127.0	72.9	-	12.9 kg
4	inch	3.5	10.6	10.5	5.0	13.5	5.3	4.3	1.8	6.1	3.8	1/4	30.5 lb
	mm	90.0	270.0	265.6	127.0	343.6	135.0	108.7	45.0	156.0	97.6	-	13.8 kg