

ROADMAX® RX3

Evluma's Next Generation Roadway Luminaire
LED ROADWAY LIGHTING

Applications:

roadways
major & collector streets
parking lots, campuses, industrial parks.

RX3 Wattage Range: 120-300W
RX3 Lumen Range: 13,240 - 39,710 lumens



RoadMax RX3 delivers high-performance roadway distributions coupled with exceptional glare control. This graceful, utility-grade luminaire is easily configurable to meet a multitude of application requirements. RX3 is one model in a series. See also, RX1 & RX2.

Replaces 150W-400W HID

The RoadMax RX3 is a triple light engine luminaire with a lumen output ranging from 13,240 - 39,710 lumens and wattages ranging from 120-300 watts. Lumen output and wattage can be changed in the field through your choice of optional manual or wireless controls.

Construction & Finish

Cast aluminum housing with TGIC-free, polyester powder-coat in a variety of colors. Hinged tool-less access panel for wiring access. The 4-bolt tenon clamp accepts a 2" or 1-1/4" diameter arm. Step adjustment of +/- 5° tilt plus integral bubble level for luminaire leveling. Removable wildlife guard. Coastal version with enhanced hardware available meeting 3000-hour salt spray.

Thermal Protection

Solid aluminum housing provides excellent passive cooling for all electronics. LED & driver life is ensured by thermal management protection that limits current levels to the LEDs based on temperature. Luminaire is rated for full performance at -40°C min – 50°C max ambient temperature.

Lumen Maintenance

Projected per IES TM-21-21 at 25°C and based on LM80 (10,000 hr testing)
at 25,000 hours L91
at 50,000 hours L95
at 60,000 hours L89

All calculations are pending certification testing.

LED & Optical

High-efficacy LEDs with color temperature options of 2700 – 5000 Kelvin and CRI > 70. High-performance Type II, Type III, Type IV and Type V primary borosilicate optics rated at IP66. Factory or field-installable secondary lens available on all optics for managing glare while achieving superior pole spacing. All configurations are Zero Uplight (U0 BUG). Field-installable light trespass shields are available.

Electrical

120-277 VAC 60 Hz or 277-480 VAC 60Hz.
THD <20% and PF >0.9.

20kV/10kA or surge protection per ANSI C136.2 – 2018 Extreme rating.

Three-position terminal block with optional pigtailed. Separate electronics compartment is rated IP66.

Controls

Dimmable driver. 0-10V interface standard with 7-pin NEMA socket option. Manual wattage control (FAO) optional. Dimming minimum to 10% of nominal wattage. Manual wattage control (FAO) with stepped dimming optional.

Optional packages includes Photocontrol FailSafe™ and compatibility with the Bluetooth BLE ConnectLED™ mobile app. Can be combined with Evluma's integrated photocell, 3-pin, or 7-pin receptacles.

Warranty

Ten-year warranty.



ROADMAX RX3

PRODUCT CONFIGURATIONS

SAMPLE NUMBER: RX3-220E3T4G0-S7HGL0-JFBN-PC1

FAMILY ID	WATTS	OUTPUT	CCT (K)	DISTRIBUTION ¹	LENS	PCR / RECEPTACLE / FAILSAFE
RX3 = RoadMax large	120 = 120 140 = 140 160 = 160 180 = 180 200 = 200 220 = 220 240 = 240 260 = 260 280 = 280 300 = 300	E = high output	7 = 2700 3 = 3000 4 = 4000 5 = 5000	T2 = type II T3 = type III T4 = type IV T5 = type V	G0= none G1= diffused glare control	S3= 3 pin receptacle only S7= 7 pin receptacle only (0-10V) SP= Integrated Photocell F3= S3 pin + Failsafe/CLED F7= S7 pin + Failsafe/CLED FP= Integrated PC + Failsafe/CLED

HOUSING	LEADS	SURGE PROTECTION	Features 1	DRIVER/INPUT (V)	Features 2
HG = standard gray HB = standard black HZ = standard bronze ZG = coastal gray ZB = coastal black ZZ = coastal bronze	L0 = none L6 = 6' L1 = 10' L2 = 20'	A = Surge 20kV/10kA SPD	0 = none F = FAO	B = 120-277VAC D = 277-480VAC ²	0 = none N = NEMA wattage label

¹ Nominal IES Type subject to typical variation. Please review individual IES files.
² Option D 277-480VAC is not available with SP, F3, F7, or FP.

LENS

The primary glass RX3 optics are designed to deliver precise, evenly-distributed light for Type II, Type III, Type IV and Type V distributions.

Choose G1 to add a secondary lens made from a specially formulated LED acrylic for exceptional glare control.

PCR/RECEPTACLE/FAILSAFE

All photocell receptacles are rotatable. Wireless photocell not provided.

Integrated Photocell (P)

Evluma's integrated photocell shortens installation time. This UV-resistant, polycarbonate photocell meets FM 4473 impact resistance. Rotatable 360°.

ConnectLED™ (CLED)

Order the RX3 configured for compatibility with Evluma's ConnectLED app.

ConnectLED uses Bluetooth BLE technology to securely control individual luminaires. ConnectLED is available as an Apple or Android app.

Photocontrol

Failsafe™ (Failsafe)

Photocontrol Failsafe eliminates the need to replace failed photocells, saving truck-rolls. Combine this patented technology with S3, S7 receptacles or the P option. Packaged with ConnectLED.

HOUSING

Standard housings are tested to 1000hrs salt/fog. Coastal housings are tested to 3000hrs and include non-corrosive hardware. Recommended for installation within 2000 ft from saltwater. Custom colors available.

Features 1: FAO

Field Adjustable Wattage Selector (FAO) Manually adjust luminaire wattage and lumen output in the field using the FAO. Allows a single SKU to be adapted to multiple applications or site specific requirements. Seven output levels.

SWITCH POSITION	INPUT WATTS MULTIPLIER	DELIVERED LUMENS MULTIPLIER
A	100%	100%
B	89%	91%
C	77%	84%
D	65%	72%
E	54%	61%
F	43%	50%
G	33%	39%
H	23%	28%

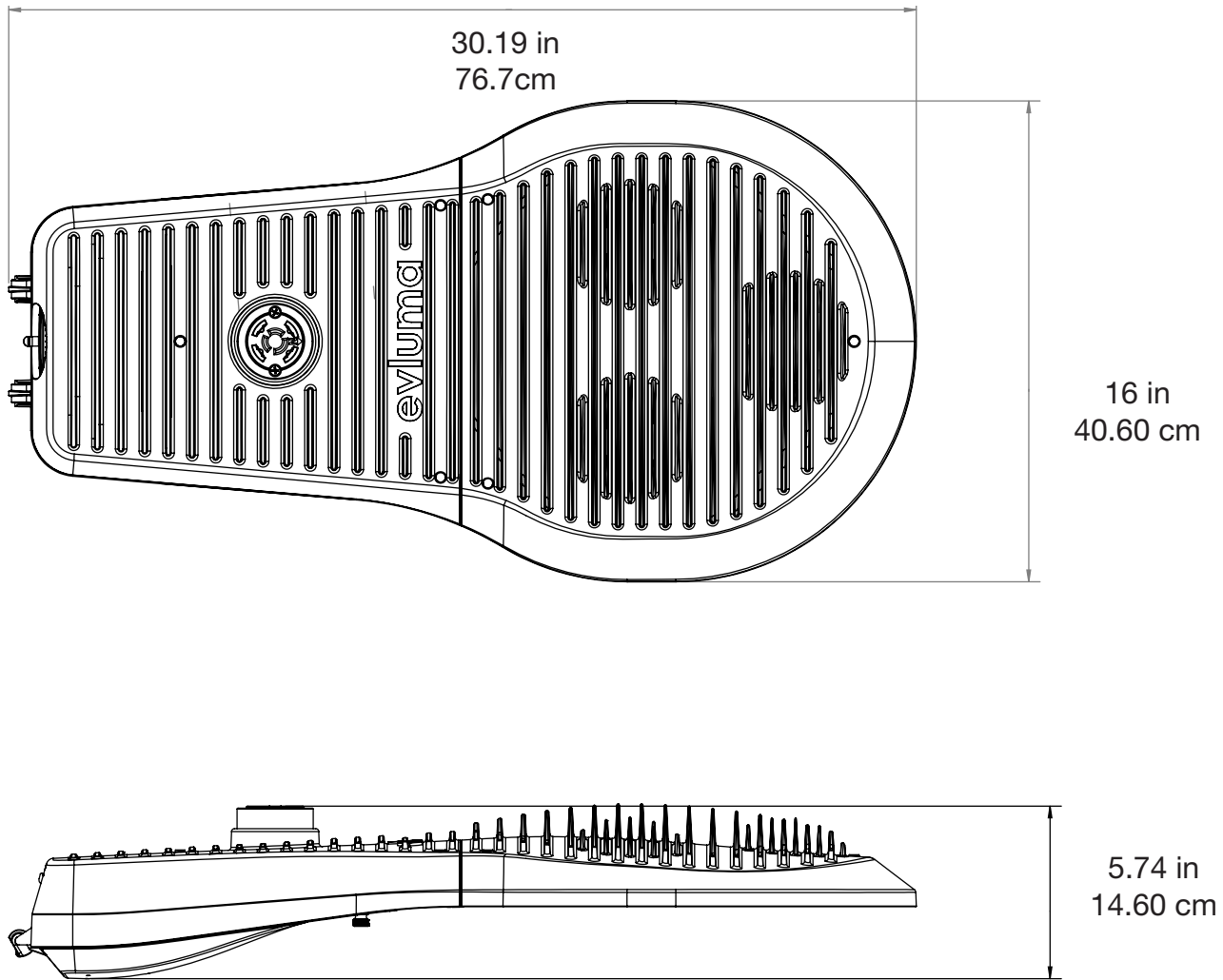
SPECIAL OPTIONS

- CAP = shorting cap
- PC1 = long life NEMA photocell 120-277VAC
- PC2 = long life NEMA photocell 480VAC

Multiply the nominal wattage and/or lumens to arrive at reduced values. Typical accuracy is +/- 10%. Select the A position if using with an S7 socket and wireless node.



RX3 DIMENSIONS



Certifications (Pending)

UL 1598. MET Labs
IP66.

C136.31-2023
Level2/3G Vibration

ANSI C136.2-2018
20kV/10kA Extreme

Ratings

Rated electrical life =
100,00 hours

-40°C Min / 50°C Max Temp

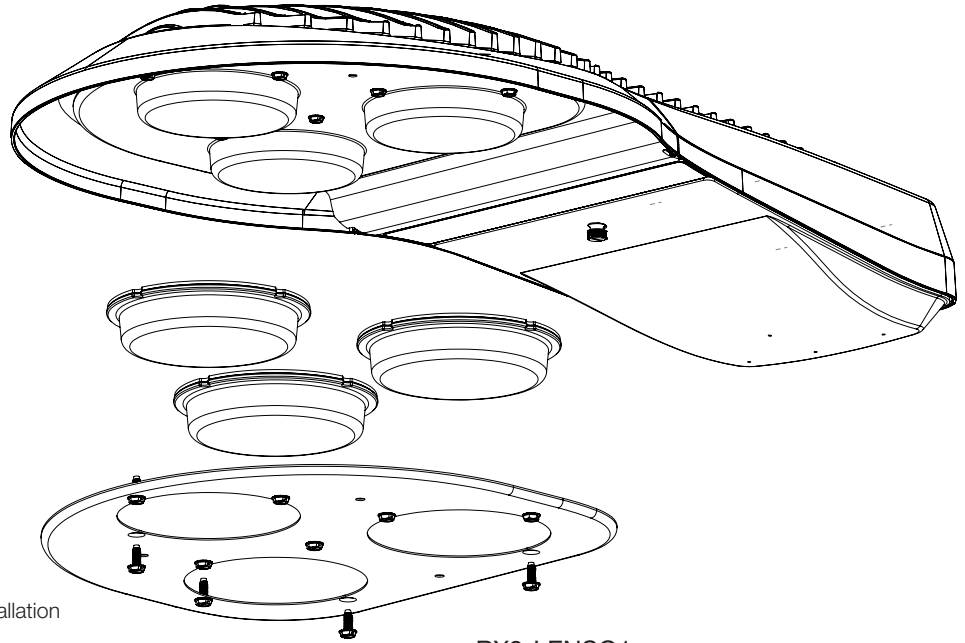
THD <20% 120-277 VAC
PF >90% 120-277 VAC
THD <20% 277-480 VAC
PF >90% 277-480 VAC

Effective Projected Area
(EPA) >.6 sq ft

Shipping

Single unit Weight = 23 lbs
LTL pallet qty 18

LENS ACCESSORIES



SECONDARY LENS FOR GLARE CONTROL

Push Veiling Luminance even lower while maintaining competitive pole spacing within RP-8 recommendations.

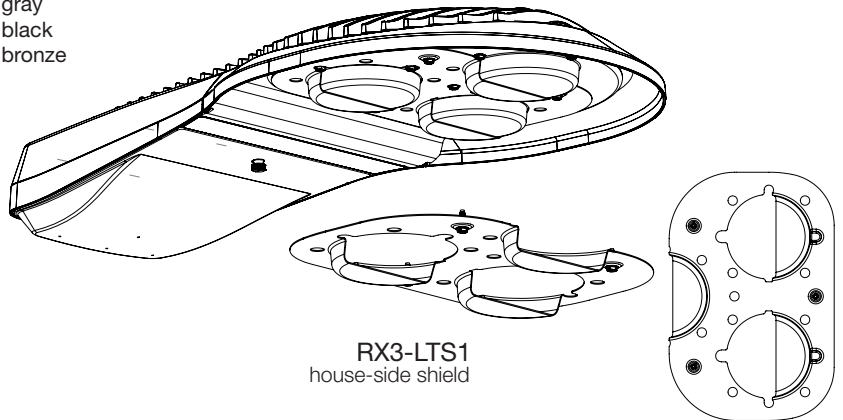
RX3 can be ordered from the factory with a set of secondary lenses installed for additional glare control, or order the set separately for installation in the field at a later date.

Prioritize glare reduction while maintaining high roadway performance.

The glare control lens is made from a specially formulated optical acrylic for use with LEDs. Coastal version available. To order separately see the catalog number below.

RX3-LENSG1

FAMILY ID	STYLE	COLOR
RX3	LENSG1 = secondary lens for glare control	HG = standard gray HB = standard black HZ = standard bronze ZG = coastal gray ZB = coastal black ZZ = coastal bronze

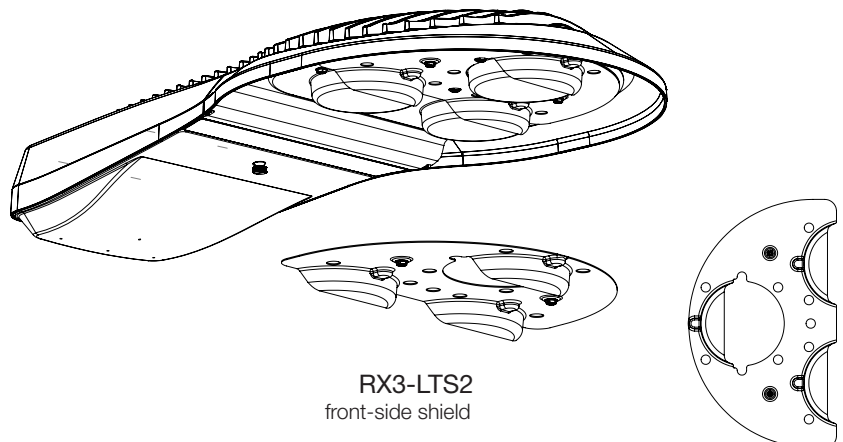


RX3-LTS1
house-side shield

LIGHT TRESPASS SHIELDS

Reduce light trespass and discomfort glare. Field installable shields can be mounted over primary optics or secondary lenses front or back. Shields maintain No Uplight (U0) rating and add no additional EPS. Coastal version available. Order separately.

FAMILY ID	STYLE	COLOR
RX3	LTS1 = house-side shield (large) LTS2 = front-side shield (small)	HG = standard gray HB = standard black HZ = standard bronze ZG = coastal gray ZB = coastal black ZZ = coastal bronze



RX3-LTS2
front-side shield

RX3 PERFORMANCE

Nominal lumen values reported. Individual fixtures may vary +- 10%.

WATTAGE	DISTRIBUTION Type, Lm/W & BUG	LUMENS (all CCT = >70 CRI)							
		G0 option - primary lens				G1 option - glare control			
		2700K	3000K	4000K	5000K	2700K	3000K	4000K	5000K
120 E Output	II	15160	16930	17370	17460	13310	14870	15260	15340
	Lm/W	126	141	145	146	111	124	127	128
	BUG	B2 U0 G2	B3 U0 G2	B3 U0 G2	B3 U0 G2	B3 U0 G3	B3 U0 G3	B3 U0 G3	B3 U0 G3
	III	15200	16970	17410	17500	13290	14850	15230	15310
	Lm/W	127	141	145	146	111	124	127	128
	BUG	B3 U0 G3	B3 U0 G3	B3 U0 G3	B3 U0 G3	B3 U0 G3	B3 U0 G3	B3 U0 G3	B3 U0 G3
	IV	15180	16950	17400	17490	13240	14800	15180	15260
	Lm/W	127	141	145	146	110	123	127	127
	BUG	B3 U0 G3	B3 U0 G3	B3 U0 G3	B3 U0 G3	B2 U0 G3	B3 U0 G3	B3 U0 G3	B3 U0 G3
V	15990	17860	18330	18420	14060	15710	16120	16210	
Lm/W	133	149	153	153	117	131	134	135	
BUG	B4 U0 G2	B4 U0 G2	B4 U0 G2	B4 U0 G2	B3 U0 G2	B3 U0 G2	B4 U0 G2	B4 U0 G2	
140 E Output	II	17020	19010	19510	19610	15350	17150	17600	17690
	Lm/W	122	136	139	140	110	123	126	126
	BUG	B3 U0 G2	B3 U0 G3	B3 U0 G3	B3 U0 G3	B3 U0 G3	B3 U0 G3	B3 U0 G3	B3 U0 G3
	III	17060	19060	19560	19660	15330	17120	17570	17660
	Lm/W	122	136	140	140	110	122	126	126
	BUG	B3 U0 G3	B3 U0 G3	B3 U0 G3	B3 U0 G3	B3 U0 G3	B3 U0 G3	B3 U0 G3	B3 U0 G3
	IV	17040	19040	19540	19640	15270	17070	17510	17600
	Lm/W	122	136	140	140	109	122	125	126
	BUG	B3 U0 G3	B3 U0 G3	B3 U0 G3	B3 U0 G3	B3 U0 G3	B3 U0 G3	B3 U0 G3	B3 U0 G3
V	17960	20060	20580	20690	16220	18120	18590	18690	
Lm/W	128	143	147	148	116	129	133	134	
BUG	B4 U0 G2	B4 U0 G2	B4 U0 G2	B4 U0 G2	B4 U0 G2	B4 U0 G3	B4 U0 G3	B4 U0 G3	
160 E Output	II	18980	21200	21750	21870	17030	19020	19520	19620
	Lm/W	119	133	136	137	106	119	122	123
	BUG	B3 U0 G3	B3 U0 G3	B3 U0 G3	B3 U0 G3	B3 U0 G3	B3 U0 G3	B3 U0 G3	B3 U0 G3
	III	19030	21250	21810	21930	17000	18990	19490	19590
	Lm/W	119	133	136	137	106	119	122	122
	BUG	B3 U0 G3	B3 U0 G3	B3 U0 G3	B3 U0 G3	B3 U0 G3	B3 U0 G3	B3 U0 G3	B3 U0 G3
	IV	19010	21230	21780	21900	16950	18930	19420	19520
	Lm/W	119	133	136	137	106	118	121	122
	BUG	B3 U0 G3	B3 U0 G3	B3 U0 G3	B3 U0 G3	B3 U0 G3	B3 U0 G3	B3 U0 G3	B3 U0 G3
V	20030	22370	22950	23070	17990	20090	20620	20730	
Lm/W	125	140	143	144	112	126	129	130	
BUG	B4 U0 G2	B4 U0 G2	B4 U0 G2	B4 U0 G2	B4 U0 G3	B4 U0 G3	B4 U0 G3	B4 U0 G3	
180 E Output	II	20940	23390	24000	24120	18700	20890	21440	21550
	Lm/W	116	130	133	134	104	116	119	120
	BUG	B3 U0 G3	B3 U0 G3	B3 U0 G3	B3 U0 G3	B3 U0 G3	B3 U0 G3	B3 U0 G3	B3 U0 G3
	III	20990	23450	24060	24180	18670	20860	21400	21510
	Lm/W	117	130	134	134	104	116	119	120
	BUG	B3 U0 G3	B3 U0 G3	B3 U0 G3	B3 U0 G3	B3 U0 G3	B3 U0 G3	B3 U0 G4	B3 U0 G4
	IV	20970	23420	24030	24160	18610	20790	21330	21440
	Lm/W	117	130	134	134	103	116	119	119
	BUG	B3 U0 G3	B3 U0 G3	B3 U0 G3	B3 U0 G3	B3 U0 G3	B3 U0 G4	B3 U0 G4	B3 U0 G4
V	22090	24680	25320	25450	19760	22070	22650	22760	
Lm/W	123	137	141	141	110	123	126	126	
BUG	B4 U0 G2	B4 U0 G2	B4 U0 G2	B4 U0 G2	B4 U0 G3	B4 U0 G3	B4 U0 G3	B4 U0 G3	
200 E Output	II	22900	25580	26250	26380	20380	22760	23360	23470
	Lm/W	115	128	131	132	102	114	117	117
	BUG	B3 U0 G3	B3 U0 G3	B3 U0 G3	B3 U0 G3	B3 U0 G3	B3 U0 G3	B3 U0 G3	B3 U0 G3
	III	22960	25640	26320	26450	20350	22720	23320	23430
	Lm/W	115	128	132	132	102	114	117	117
	BUG	B3 U0 G3	B3 U0 G3	B3 U0 G3	B3 U0 G3	B3 U0 G3	B3 U0 G4	B3 U0 G4	B3 U0 G4
	IV	22930	25620	26290	26420	20280	22650	23250	23350
	Lm/W	115	128	131	132	101	113	116	117
	BUG	B3 U0 G3	B3 U0 G3	B3 U0 G4	B3 U0 G4	B3 U0 G4	B3 U0 G4	B3 U0 G4	B3 U0 G4
V	24160	26990	27700	27830	21530	24050	24680	24800	
Lm/W	121	135	138	139	108	120	123	124	
BUG	B4 U0 G2	B4 U0 G2	B4 U0 G2	B4 U0 G2	B4 U0 G3	B4 U0 G3	B4 U0 G3	B4 U0 G3	

WATTAGE	DISTRIBUTION Type, Lm/W & BUG	LUMENS (all CCT = >70 CRI)							
		G0 option - primary lens				G1 option - glare control			
		2700K	3000K	4000K	5000K	2700K	3000K	4000K	5000K
220 E Output	II	24670	27560	28280	28430	21830	24390	25020	25140
	Lm/W	112	125	129	129	99	111	114	114
	BUG	B3 U0 G3	B3 U0 G3	B3 U0 G3	B3 U0 G3	B3 U0 G3	B3 U0 G4	B3 U0 G4	B3 U0 G4
	III	24740	27630	28350	28500	21800	24350	24990	25110
	Lm/W	112	126	129	130	99	111	114	114
	BUG	B3 U0 G3	B3 U0 G4	B3 U0 G4	B3 U0 G4	B3 U0 G4	B3 U0 G4	B3 U0 G4	B3 U0 G4
	IV	24710	27600	28320	28470	21730	24270	24910	25030
	Lm/W	112	125	129	129	99	110	113	114
	BUG	B3 U0 G3	B3 U0 G4	B3 U0 G4	B3 U0 G4	B3 U0 G4	B3 U0 G4	B3 U0 G4	B3 U0 G4
	V	26030	29080	29840	30000	23060	25770	26430	26560
Lm/W	118	132	136	136	105	117	120	121	
BUG	B4 U0 G2	B5 U0 G3	B5 U0 G3	B5 U0 G3	B4 U0 G3	B4 U0 G3	B4 U0 G3	B4 U0 G3	
240 E Output	II	26820	29960	30740	30900	23730	26500	27190	27330
	Lm/W	112	125	128	129	99	110	113	114
	BUG	B3 U0 G3	B3 U0 G3	B3 U0 G3	B3 U0 G3	B3 U0 G3	B3 U0 G3	B3 U0 G4	B3 U0 G4
	III	26890	30040	30820	30980	23690	26460	27150	27290
	Lm/W	112	125	128	129	99	110	113	114
	BUG	B3 U0 G3	B3 U0 G4	B3 U0 G4	B3 U0 G4	B3 U0 G4	B3 U0 G4	B3 U0 G4	B3 U0 G4
	IV	26860	30000	30780	30940	23610	26370	27060	27200
	Lm/W	112	125	128	129	98	110	113	113
	BUG	B3 U0 G4	B3 U0 G4	B3 U0 G4	B3 U0 G4	B3 U0 G4	B3 U0 G4	B3 U0 G4	B3 U0 G4
	V	28300	31610	32430	32600	25070	28000	28730	28870
Lm/W	118	132	135	136	104	117	120	120	
BUG	B5 U0 G3	B5 U0 G3	B5 U0 G3	B5 U0 G3	B4 U0 G3	B4 U0 G3	B4 U0 G3	B4 U0 G3	
260 E Output	II	28790	32160	33000	33170	25400	28370	29110	29260
	Lm/W	111	124	127	128	98	109	112	113
	BUG	B3 U0 G3	B3 U0 G3	B3 U0 G3	B3 U0 G3	B3 U0 G3	B3 U0 G4	B3 U0 G4	B3 U0 G4
	III	28860	32240	33080	33250	25360	28320	29060	29210
	Lm/W	111	124	127	128	98	109	112	112
	BUG	B3 U0 G4	B3 U0 G4	B4 U0 G4	B4 U0 G4	B3 U0 G4	B3 U0 G4	B3 U0 G4	B3 U0 G4
	IV	28830	32210	33050	33220	25280	28230	28970	29120
	Lm/W	111	124	127	128	97	109	111	112
	BUG	B3 U0 G4	B3 U0 G4	B3 U0 G4	B4 U0 G4	B3 U0 G4	B3 U0 G4	B3 U0 G4	B3 U0 G4
	V	30380	33930	34820	35000	26830	29970	30750	30910
Lm/W	117	130	134	135	103	115	118	119	
BUG	B5 U0 G3	B5 U0 G3	B5 U0 G3	B5 U0 G3	B4 U0 G3	B4 U0 G3	B4 U0 G3	B4 U0 G3	
280 E Output	II	30750	34350	35250	35430	27070	30240	31030	31190
	Lm/W	110	123	126	127	97	108	111	111
	BUG	B3 U0 G3	B3 U0 G3	B3 U0 G3	B3 U0 G3	B3 U0 G4	B3 U0 G4	B4 U0 G4	B4 U0 G4
	III	30830	34440	35340	35520	27030	30190	30980	31140
	Lm/W	110	123	126	127	97	108	111	111
	BUG	B3 U0 G4	B4 U0 G4	B4 U0 G4	B4 U0 G4	B3 U0 G4	B3 U0 G4	B3 U0 G4	B3 U0 G4
	IV	30790	34400	35300	35480	26940	30090	30880	31040
	Lm/W	110	123	126	127	96	108	110	111
	BUG	B3 U0 G4	B4 U0 G4	B4 U0 G4	B4 U0 G4	B3 U0 G4	B3 U0 G5	B3 U0 G5	B3 U0 G5
	V	32440	36240	37190	37380	28600	31950	32780	32950
Lm/W	116	129	133	133	102	114	117	118	
BUG	B5 U0 G3	B5 U0 G3	B5 U0 G3	B5 U0 G3	B4 U0 G3	B5 U0 G3	B5 U0 G3	B5 U0 G3	
300 E Output	II	32670	36490	37450	37640	28600	31940	32780	32940
	Lm/W	109	122	125	125	95	106	109	110
	BUG	B3 U0 G3	B3 U0 G4	B3 U0 G4	B3 U0 G4	B3 U0 G4	B4 U0 G4	B4 U0 G4	B4 U0 G4
	III	31930	36580	37550	37740	28050	31890	32730	32890
	Lm/W	106	122	125	126	94	106	109	110
	BUG	B3 U0 G4	B4 U0 G4	B4 U0 G4	B4 U0 G4	B3 U0 G4	B3 U0 G4	B4 U0 G5	B4 U0 G5
	IV	32720	36540	37500	37690	28460	31780	32620	32780
	Lm/W	109	122	125	126	95	106	109	109
	BUG	B3 U0 G4	B4 U0 G4	B4 U0 G4	B4 U0 G4	B3 U0 G4	B3 U0 G5	B3 U0 G5	B3 U0 G5
	V	34470	38500	39510	39710	30220	33740	34630	34800
Lm/W	115	128	132	132	101	112	115	116	
BUG	B5 U0 G3	B5 U0 G3	B5 U0 G3	B5 U0 G3	B4 U0 G3	B5 U0 G4	B5 U0 G4	B5 U0 G4	