



**NEW &
IMPROVED**

TAMPER-RESISTANT

SECURE-BOLT PLUS

CONCRETE SCREW ANCHOR



WHERE THEFT OR VANDALISM IS A THREAT

The Secure-Bolt Plus is a one-piece, heat treated heavy-duty screw anchor manufactured from carbon steel. It is designed to work for most applications and can be used in a variety of tough base materials such as concrete, block, brick or stone.

The Secure-Bolt Plus Screw Anchor replaces the Secure Wedge-Bolt with a new and improved design.

It is now available in two head styles: Button Head with Serrations and Flat Head Countersunk and additional lengths.

- Exceeds 700 hours before any red corrosion appears (ASTM-B-117) NOA 18.1126-2 approved
- Multiple coating protection, composed of a layer of zinc plating and 2 layers of epoxy organic coating
- Suitable for external environments ISO 9223 class C3 for a period (service life) exceeding 25 years

ADVANTAGES OF SECURE-BOLT PLUS

The specially designed serrated threads cut into the sides of the hole and interlock with the base material during installation. It is a versatile, high performance screw anchor that is vibration resistant and removable with the proper tooling.

It is a high security mechanical screw anchor with the added benefit of higher load capacities and ease of installation.



UNDERHEAD SERRATIONS

Adds Grip for Vibration Resistance
(Available only on Button Head)

TAMPER-RESISTANT 6-LOBE SECURITY DRIVE

Limits unwanted removal



SERRATED THREADS

Cut and interlocks with base materials

SECURE-BOLT PLUS FEATURES

- Quick and easy installation
- Use in concrete & masonry
- Use for medium to heavy duty loads
- One piece assembly
- Variety of length and diameters
- Suitable when reduced distance to edge and between anchors is required
- Mechanical interlock between concrete and thread
- Underhead serrations (button head)
- Countersunk (flat head)



APPLICATIONS & INDUSTRY USES

- Anchoring for concrete & masonry
- Detention equipment
- Institutional furniture
- Installation of railings & handrails
- Signs and stadium seating
- Secure facade substructures
- Exterior security environments
- Bike Racks

STYLES AVAILABLE

Secure-Bolt Plus comes in two head styles for a variety of applications.

- Button Head, with underhead serrations
- Flat Head (countersink)

Made from 10B21 carbon steel with Tanner Guard+ Corrosion Resistant Coating in two standard diameters, 3/8" and 1/2"

If you have questions about this product or need further information please contact us at sales@tannerbolt.com





SECURE-BOLT PLUS SCREW ANCHOR

WITH TANNER GUARD+ PROTECTIVE COATING

TAMPER RESISTANT



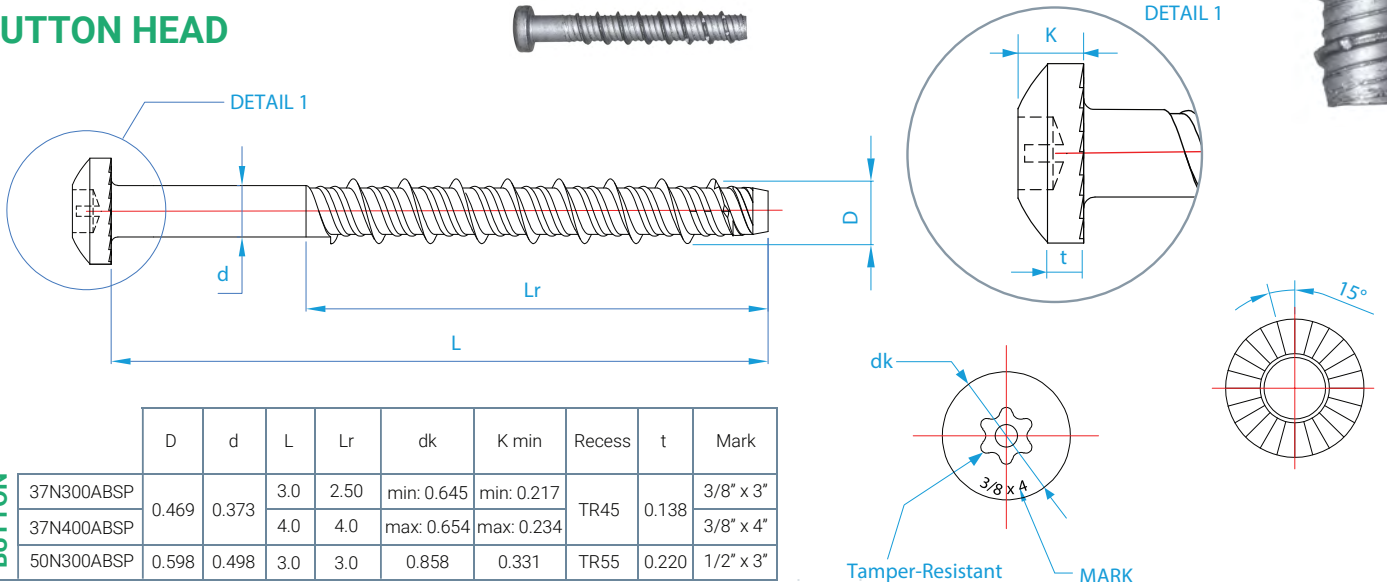
SECURE-BOLT PLUS SCREW ANCHOR LINEUP

	Description	Overall Length	Diameter	ANSI Drill Diameter	Min. Embed	Max. Torque	Box Qty
BUTTON	37N300ABSP	3/8" x 3"	3/8"	3/8"	2-1/2"	35 ft lbs	50
	37N400ABSP	3/8" x 4"	3/8"	3/8"	2-1/2"	35 ft lbs	50
FLAT	50N300ABSP	1/2" x 3"	1/2"	1/2"	2-3/4"	45 ft lbs	50
	37N300AFSP	3/8" x 3"	3/8"	3/8"	2-1/2"	35 ft lbs	50
	37N400AFSP	3/8" x 4"	3/8"	3/8"	2-1/2"	35 ft lbs	50

* Button Head anchors are measured from under the head, Flat Heads anchors are measured overall from the top of the head to the bottom of the screw."

SECURE-BOLT PLUS SCREW ANCHOR DIMENSION SPECIFICATIONS

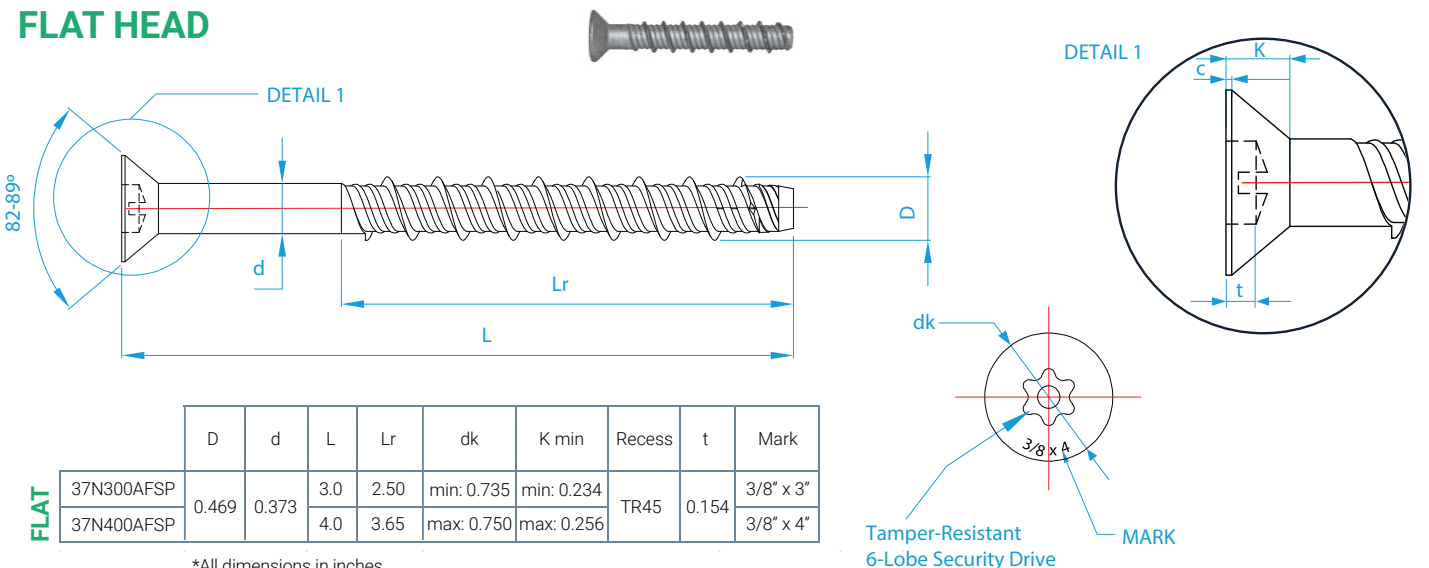
BUTTON HEAD



	D	d	L	Lr	dk	K min	Recess	t	Mark	
BUTTON	37N300ABSP	0.469	0.373	3.0	2.50	min: 0.645	min: 0.217	TR45	0.138	3/8" x 3"
	37N400ABSP			4.0	4.0	max: 0.654	max: 0.234			3/8" x 4"
	50N300ABSP	0.598	0.498	3.0	3.0	0.858	0.331	TR55	0.220	1/2" x 3"

*All dimensions in inches

FLAT HEAD



	D	d	L	Lr	dk	K min	Recess	t	Mark	
FLAT	37N300AFSP	0.469	0.373	3.0	2.50	min: 0.735	min: 0.234	TR45	0.154	3/8" x 3"
	37N400AFSP			4.0	3.65	max: 0.750	max: 0.256			3/8" x 4"

*All dimensions in inches



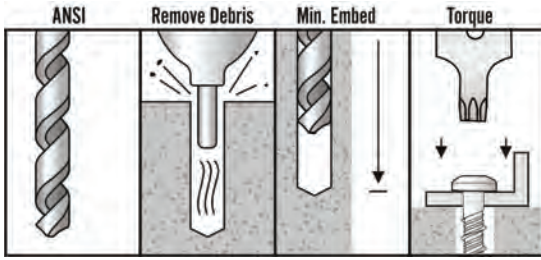
SECURE-BOLT PLUS SCREW ANCHOR

WITH TANNER GUARD+ PROTECTIVE COATING

TAMPER-RESISTANT



INSTALLATION



- #1 Use Proper ANSI Bit Diameter
- #2 Remove All Dust & Debris
- #3 Check Minimum Embedment Depth
- #4 Fasten Using Proper Torque Specs

*Please reference page 2 for ANSI Bit Diameters, Embedment Depths & Torque Values

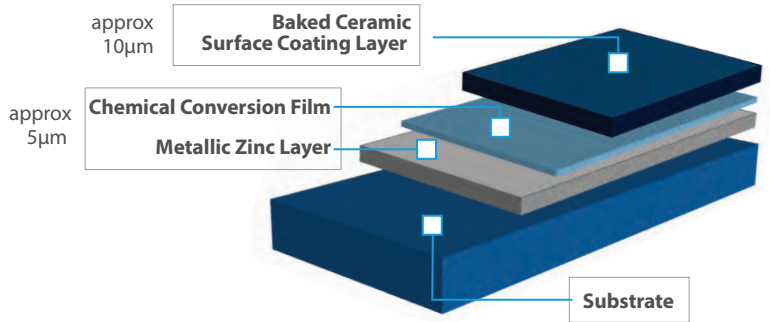
TANNER GUARD+ COATING

Suitable for external environments ISO 9223 class C3 for a period (service life) exceeding 25 years.

Tanner Guard+ Coating is comprised of a multiple coating protection, composed by a first layer of zinc plating with a minimum thickness of 0.0002", passivated (chemical conversion film), plus 2 layers of epoxy organic coating, cured at low temperature (not affecting the hardness of the base material), with an overall coating thickness around 0.0006".

- Resistant to acids and alkalis
- Reduced galvanic pair effect
- No metallographic changes due its low curing temperature

Its resistance in the Salt Spray chamber test according to ISO 9227 neutral tests (ASTM-B-117) exceeds 700 hours before any red corrosion appears. Product is NOA 18.1126-2 approved, so it has passed the Miami Dade special corrosion test TAS 411, according to ASTM G85. Product meets Reach European regulation since it does not include any of Reach annex XIV Substances of Very High Concern (SVCH).



PERFORMANCE DATA

TENSION AND SHEAR DESIGN STRENGTHS FOR SECURE-BOLT PLUS SCREW ANCHOR (IN UNCRACKED CONCRETE)

DESIGN STRENGTHS	Nominal anchor diameter (in.)	Nominal embed. h_{nom} (in.)	Minimum concrete compressive strength									
			$f'_c = 2,500$ psi		$f'_c = 3,000$ psi		$f'_c = 4,000$ psi		$f'_c = 6,000$ psi		$f'_c = 8,000$ psi	
			ΦN_n Tension (lb.)	ΦV_n Shear (lb.)	ΦN_n Tension (lb.)	ΦV_n Shear (lb.)	ΦN_n Tension (lb.)	ΦV_n Shear (lb.)	ΦN_n Tension (lb.)	ΦV_n Shear (lb.)	ΦN_n Tension (lb.)	ΦV_n Shear (lb.)
3/8	2 1/2		2.208	2.378	2.419	2.605	2.793	3.008	3.421	3.131	3.950	3.131
	3 1/4		3.448	3.151	3.777	3.151	4.361	3.151	5.341	3.151	6.168	3.151
1/2	3		2.883	3.105	3.158	3.401	3.647	3.927	4.466	4.724	5.157	4.724

CONVERTED ALLOWABLE LOADS FOR SECURE-BOLT (IN UNCRACKED CONCRETE)

ALLOWABLE LOADS	Nominal anchor diameter (in.)	Nominal embed. h_{nom} (in.)	Minimum concrete compressive strength									
			2,500 psi		3,000 psi		4,000 psi		6,000 psi		8,000 psi	
			$T_{allowable ASD}$ Tension (lb)	$V_{allowable ASD}$ Shear (lb)	$T_{allowable ASD}$ Tension (lb)	$V_{allowable ASD}$ Shear (lb)	$T_{allowable ASD}$ Tension (lb)	$V_{allowable ASD}$ Shear (lb)	$T_{allowable ASD}$ Tension (lb)	$V_{allowable ASD}$ Shear (lb)	$T_{allowable ASD}$ Tension (lb)	$V_{allowable ASD}$ Shear (lb)
3/8	2 1/2		1.492	1.607	1.634	1760	1.887	2.032	2.311	2.116	2.669	2.116
	3 1/4		2.330	2.129	2.552	2.129	2.947	2.129	3.609	2.129	4.167	2.129
1/2	3		1.948	2.098	2.134	2.298	2.464	2.653	3.018	3.192	3.485	3.192
	4 1/4		3.116	4.116	3.414	4.116	3.942	4.116	4.828	4.116	5.575	4.116

Allowable Loads Notes:

1. Allowable load values are calculated using a conversion factor, α , from factored design strengths.
2. Tabulated allowable load values assume 30% dead load and 70% live load, with controlling load combination 1,2D + 1,6L. Calculated weighted average for the conversion factor, $\alpha = 1,2*(0,3) + 1,6*(0,7) = 1,48$.